



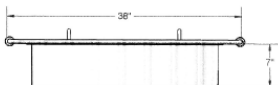
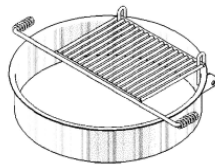
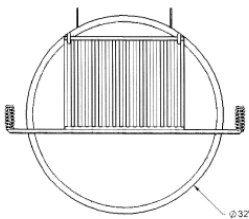
**30" Diameter Non Adjustable Fire Ring - Single Flange.**

- 72 Lbs.
- 300 Total square inch cooking surface.
- Fire ring size: 30" diameter x 7" high. Available in 9" and 18" ADA height.
- Durable rust resistant high temp black powder coated firebox.
- All MIG welded.
- 7 Gauge outer wall with 1" safety lip.
- Cooking grate is permanently attached with cool coil handles.
- Grate flips back for easy cleanup and fire building.
- Staple anchors are included for inground mount.
- Some assembly required.

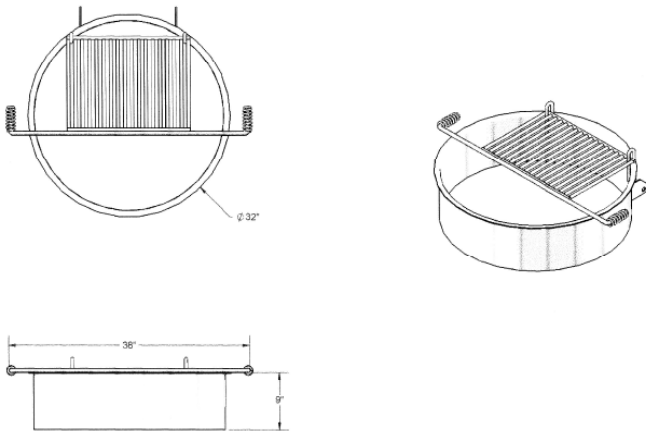
**Item #:** US 600

Model Number	Description
US 600	30" Diameter x 7"H Fire Ring, 72 lbs. Non Adjustable, Single Flange.
US 6009	30" Diameter x 9"H Fire Ring, 86 lbs. Non Adjustable, Single Flange
US 600H	30" Diameter x 18"H ADA Fire Ring, 110 lbs. Non Adjustable, Single Flange.
US 600HD	30" Diameter x 18"H ADA Fire Ring, 174 lbs. Non Adjustable, Inner Ring..

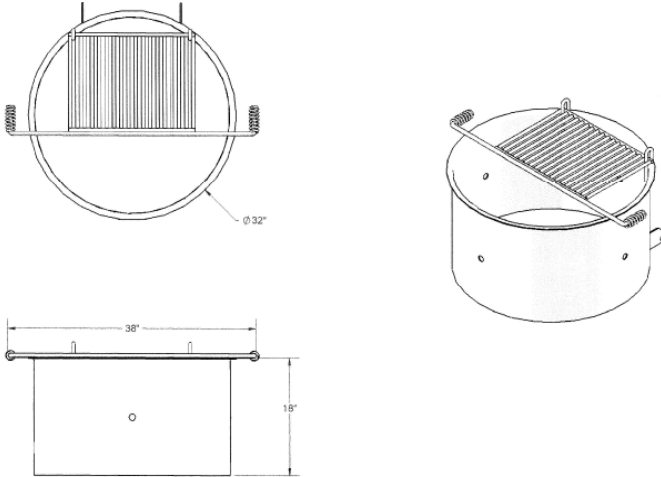
30" Diameter x 7" Adjustable Fire Ring - Single Flange.



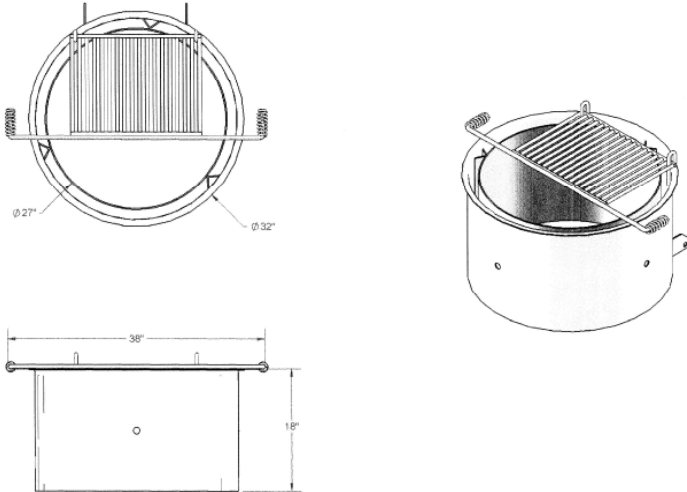
30" Diameter x 9" H Adjustable Fire Ring - Single Flanges.



30" Diameter x 18" H Adjustable ADA Fire Ring - Single Flanges.



30" Diameter x 18" H Adjustable ADA Fire Ring, Inner Ring - Single Flange.



**NATIONAL OUTDOOR FURNITURE, INC.**  
1210 W. Main Street #296. Riverhead, NY 11901  
Toll-Free Phone: 1-888-663-4621  
Phone: 631-369-9099 Fax: 631-207-8312  
Email: [nofinc@optonline.net](mailto:nofinc@optonline.net)  
[www.nationaloutdoorfurniture.com](http://www.nationaloutdoorfurniture.com)

**NATIONAL OUTDOOR FURNITURE, INC.**  
144 Murdock Road #325 Pomfret Center, CT 06259  
Toll-Free Phone: 1-888-516-8873  
Phone: 1-860-974-1551 Fax: 516-706-1901  
Email: [nofinc@earthlink.net](mailto:nofinc@earthlink.net)  
[www.nationaloutdoorfurniture.com](http://www.nationaloutdoorfurniture.com)