



**Classic Style
Portable ADA**

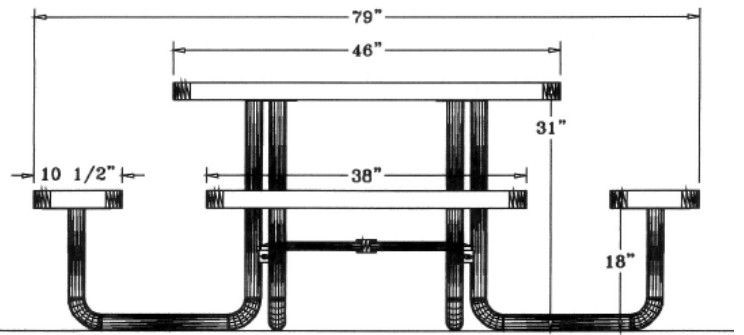
Portable Table Mounting Options



46" x 57" Classic Table with (4) Attached Seats - ADA/Portable.

- 270 lbs.
 - Made with polyethylene coated ribbed steel seats.
 - Rolled edge with 3/4" #9 pvc or polyethylene coated expanded metal top.
 - 2" O.D. zinc coated, powder coated galvanized frame.
 - With or without umbrella hole.
- Surface and inground mounting clamps available.
- Some assembly required.

Item #: WC CSQ46ADA3P



**Textured Polyethylene
Colors**



Powder Coated Frame Colors



NATIONAL OUTDOOR FURNITURE, INC.
 1210 W. Main Street #296 Riverhead, NY 11901
 Toll-Free Phone: 1-888-663-4621
 Phone: 631-369-9099 Fax: 631-207-8312
 Email: nofinc@optonline.net
www.nationaloutdoorfurniture.com

NATIONAL OUTDOOR FURNITURE, INC.
 144 Murdock Road #325 Pomfret Center, CT 06259
 Toll-Free Phone: 1-888-516-8873
 Phone: 1-860-974-1551 Fax: 516-706-1901
 Email: nofinc@earthlink.net
www.nationaloutdoorfurniture.com