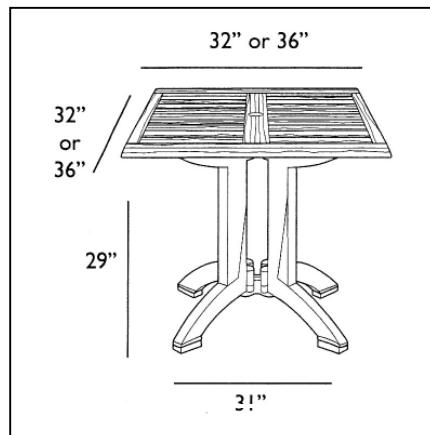




**32" Square Atlanta Resin Table – Pack of 1**  
*Colors: White Only.*

- *Masterpack of 1.*
- 22.50 Lbs.
- 32" Square x 29"H.
- 100% resin top and pedestal base.
- 1 1/2" Diameter umbrella hole with plug.
- Leg leveler on one leg.
- \$50.00 charge for Grosfillex orders under \$500.00.
- Some assembly required.

**Item #:** GR 32WHSQ



**NATIONAL OUTDOOR FURNITURE, INC.**

1210 W. Main Street #296. Riverhead, NY 11901  
Toll-Free Phone: 1-888-663-4621  
Phone: 631-369-9099 Fax: 631-207-8312  
Email: [nofinc@optonline.net](mailto:nofinc@optonline.net)  
[www.nationaloutdoorfurniture.com](http://www.nationaloutdoorfurniture.com)

**NATIONAL OUTDOOR FURNITURE, INC.**

144 Murdock Road #325 Pomfret Center, CT 06259  
Toll-Free Phone: 1-888-516-8873  
Phone: 1-860-974-1551 Fax: 516-706-1901  
Email: [nofinc@earthlink.net](mailto:nofinc@earthlink.net)  
[www.nationaloutdoorfurniture.com](http://www.nationaloutdoorfurniture.com)