



6' Recycled Plastic Picnic Table with (2) Attached Seats - Portable.

- 260 lbs.
 - Dim: 72"W x 60"D x 30"H - Top is 28"D.
 - Table top and seats are made with 2" x 10" recycled plastic slats and 2" x 6" and 2" x 10" black recycled plastic frame.
 - All holes are predrilled and countersunk for plastic lumber.
 - Includes a UV protectant.
 - Maintenance free.
 - No umbrella hole.
 - Table top and seats available in blue, green, cedar, gray, green, red with black base.
 - Mounting clamps available.
 - Some assembly required.
- NOF# JP PBAPIC6

Resinwood Slat Colors



Blue



Cedar



Green

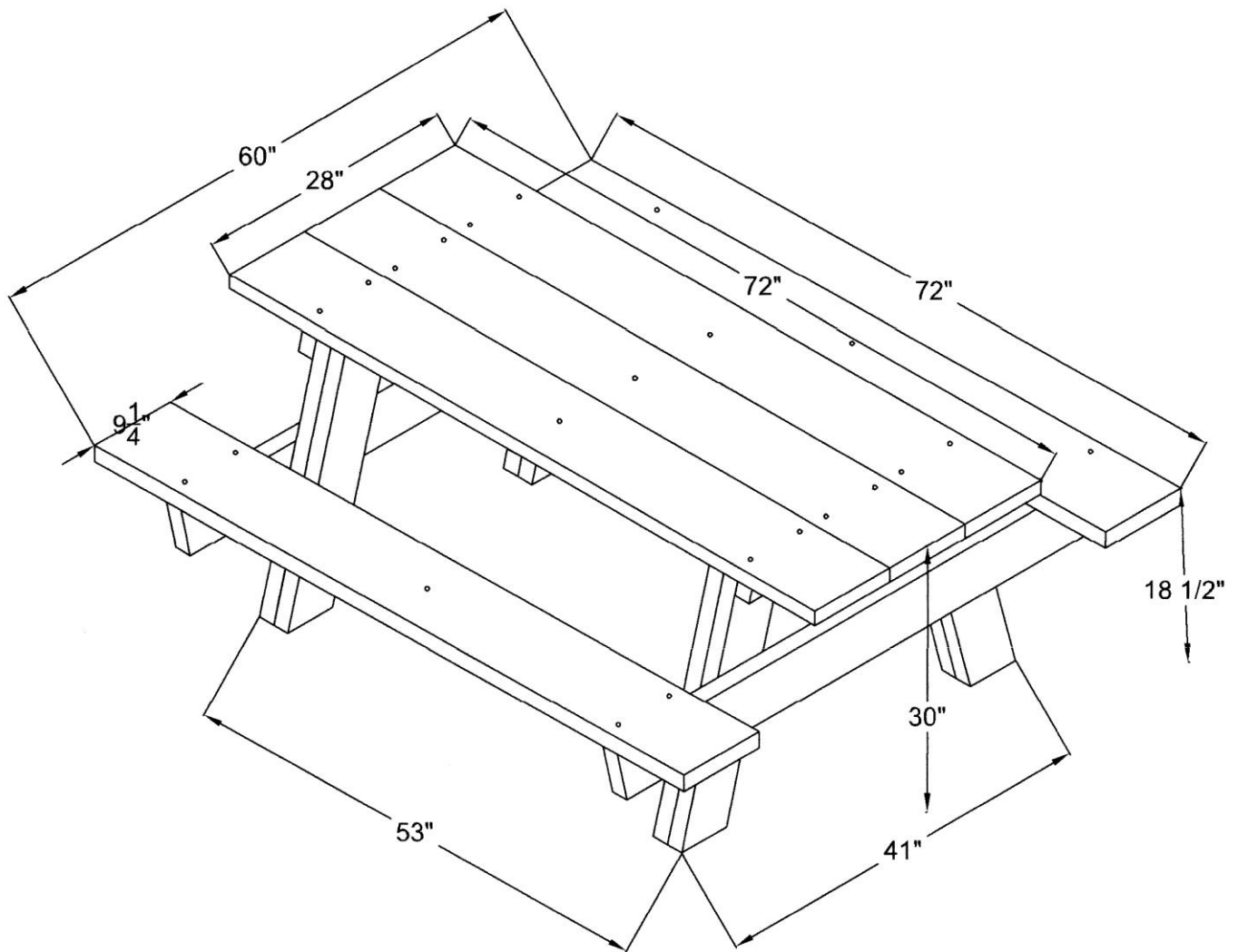


Redwood



Gray

Model Number	Description
JP PBAPIC6	6 Ft. Table 260 Lbs.
JP PBAPIC8	8 Ft. Table 350 Lbs.



- TOP AND SEATS ARE RECYCLED PLASTIC
- BLACK RECYCLED PLASTIC BASE
- COMES WITH ZINC COATED HARDWARE
- STAINLESS STEEL HARDWARE AVAILABLE
- UNIT WEIGHT APPROX. 260LBS.

NATIONAL OUTDOOR FURNITURE, INC.

1210 W. Main Street #296. Riverhead, NY 11901
 Toll-Free Phone: 1-888-663-4621
 Phone: 631-369-9099 Fax: 631-207-8312
 Email: nofinc@optonline.net
www.nationaloutdoorfurniture.com

NATIONAL OUTDOOR FURNITURE, INC.

144 Murdock Road #325 Pomfret Center, CT 06259
 Toll-Free Phone: 1-888-516-8873
 Phone: 1-860-974-1551 Fax: 516-706-1901 Email:
nofinc@earthlink.net
www.nationaloutdoorfurniture.com