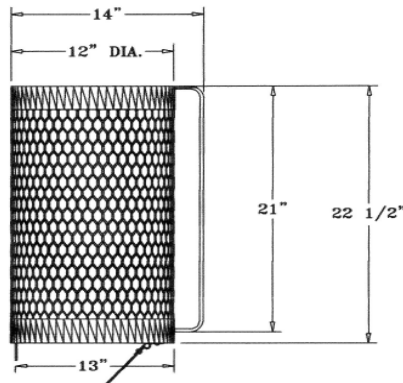




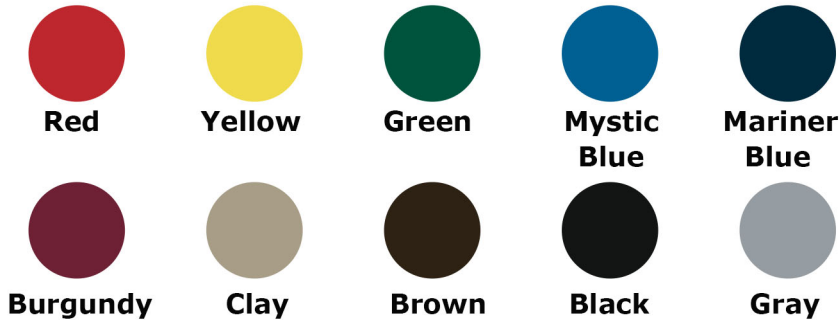
Round Ash Urn

- 35 Lbs.
- 11" Diameter x 24" Tall.
- Stainless steel tray.
- 3/4"#9 Polyethylene coated expanded metal.
- Mounting options available.

Item #: WC EASH



Textured Polyethylene Colors



<p>NATIONAL OUTDOOR FURNITURE, INC. 1210 W. Main Street #296. Riverhead, NY 11901 Toll-Free Phone: 1-888-663-4621 Phone: 631-369-9099 Fax: 631-207-8312 Email: nofinc@optonline.net www.nationaloutdoorfurniture.com</p>	<p>NATIONAL OUTDOOR FURNITURE, INC. 144 Murdock Road #325 Pomfret Center, CT 06259 Toll-Free Phone: 1-888-516-8873 Phone: 1-860-974-1551 Fax: 516-706-1901 Email: nofinc@earthlink.net www.nationaloutdoorfurniture.com</p>
--	---