



8' Heavy Duty ADA Picnic Table - Portable.

- Overall Dimensions: 95" x 62" x 30H".
- Available as ADA accessible table in single or double sided accessibility.
- All MIG welded frame with zinc or galvanized plated hardware.
- Frame available in 2 3/8" O.D. pipe with 1 15/16" O.D. brace.
- Predrilled holes for surface mounting.
- Zinc coated, galvanized, powder coated finish or galvanized frame.
- Available in 2" x 10" Untreated Pine, Treated Pine, Redwood Stained Pine and Aluminum Planks.
- Some assembly required.

Item #: US 238H



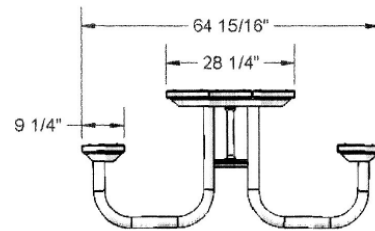
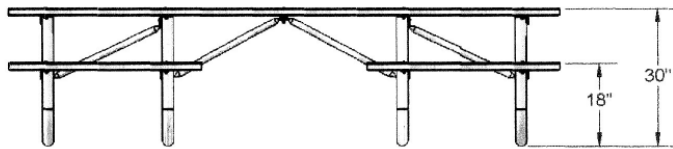
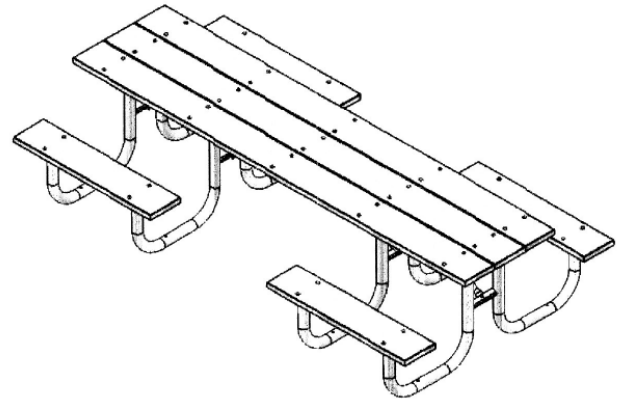
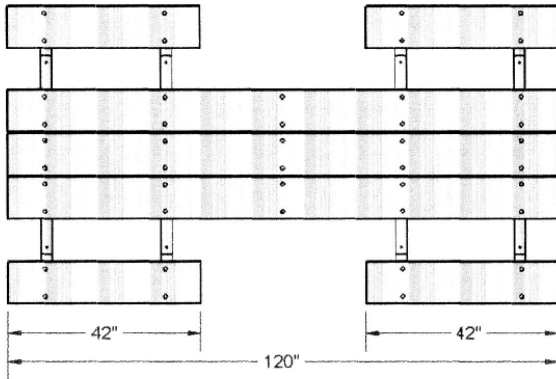
Model Number	Description
US 238HS-U8	8' ADA Picnic Table, 203 Lbs., (2) 6' Attached Seats, Untreated Pine, Portable.
US 238HS-PT8	8' ADA Picnic Table, 203 Lbs., (2) 6' Attached Seats, Treated Pine, Portable.
US 238HS-T8	8' ADA Picnic Table, 203 Lbs., (2) 6' Attached Seats, Redwood Stained Pine, Portable.
US 238HS-A8	8' ADA Picnic Table, 166 Lbs., (2) 6' Attached Seats, Aluminum, Portable.

US 238H-U8	Double Sided 8' ADA Picnic Table, 194 Lbs., (2) 6' Attached Seats, Untreated Pine, Portable.
US 238H-PT8	Double Sided 8' ADA Picnic Table, 240 Lbs., (2) 6' Attached Seats, Treated Pine, Portable.
US 238H-T8	Double Sided 8' ADA Picnic Table, 194 Lbs., (2) 6' Attached Seats, Redwood Stained Pine, Portable.
US 238H-A8	Double Sided 8' ADA Picnic Table, 157 Lbs., (2) 6' Attached Seats, Aluminum, Portable.

Powder Coat Colors



10' Heavy Duty ADA Picnic Table



NATIONAL OUTDOOR FURNITURE, INC.
1210 W. Main Street #296 Riverhead, NY 11901
Toll-Free Phone: 1-888-663-4621
Phone: 631-369-9099 Fax: 631-207-8312
Email: nofinc@optonline.net
www.nationaloutdoorfurniture.com

NATIONAL OUTDOOR FURNITURE, INC.
144 Murdock Road #325 Pomfret Center, CT 06259
Toll-Free Phone: 1-888-516-8873
Phone: 1-860-974-1551 Fax: 516-706-1901
Email: nofinc@earthlink.net
www.nationaloutdoorfurniture.com