



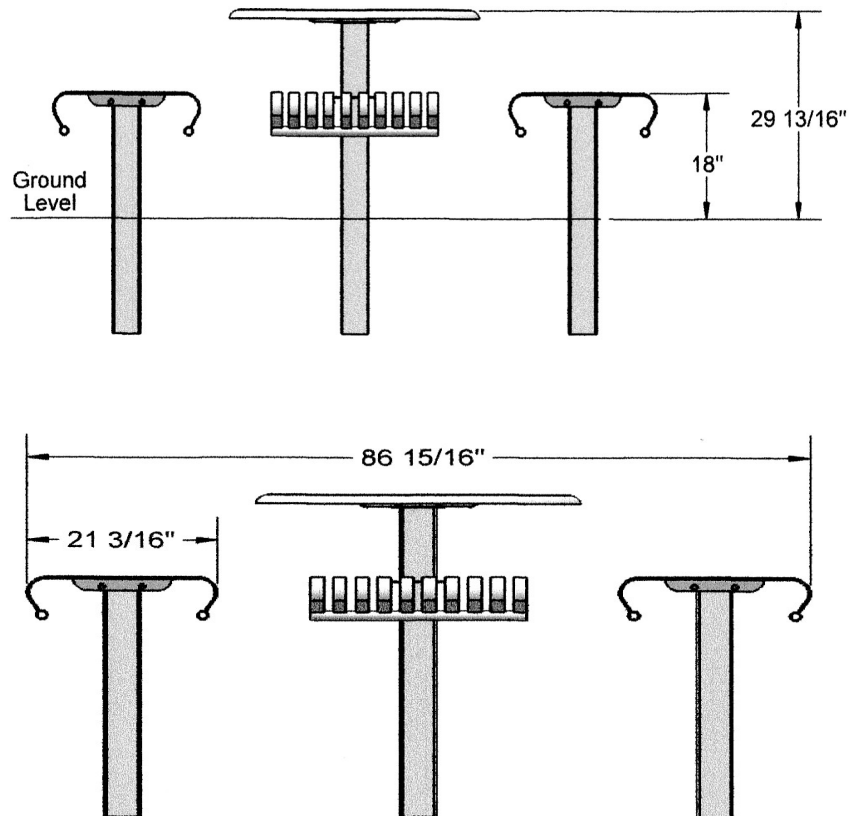
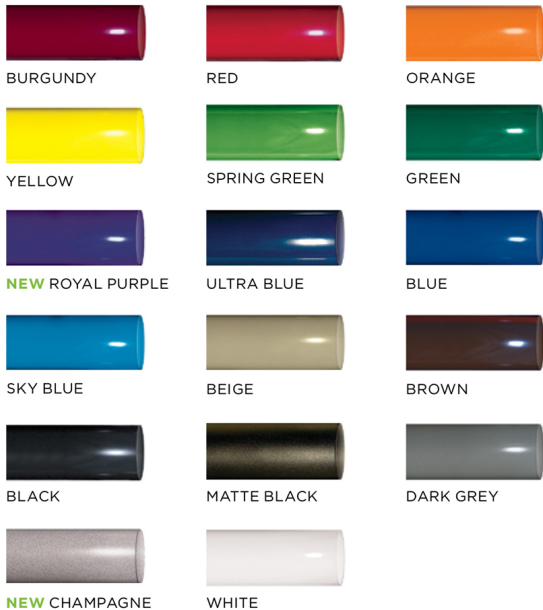
**36" Hamilton Table with Freestanding Seats-  
Inground Mount.**

- 325 Lbs.
- Solid table top is 36" diameter with 24" slat seats.
- Frame is 3" square tube with 13 powder coated finishes.
- All MIG welded frame with walk thru design.
- Inground mount.
- Some assembly required.

**Item #: US 30S-S**



**Standard Powder Coat Colors**



**NATIONAL OUTDOOR FURNITURE, INC.**

1210 W. Main Street #296 Riverhead, NY 11901  
 Toll-Free Phone: 1-888-663-4621  
 Phone: 631-369-9099 Fax: 631-207-8312  
 Email: [nofinc@optonline.net](mailto:nofinc@optonline.net)  
[www.nationaloutdoorfurniture.com](http://www.nationaloutdoorfurniture.com)

**NATIONAL OUTDOOR FURNITURE, INC.**

144 Murdock Road #325 Pomfret Center, CT 06259  
 Toll-Free Phone: 1-888-516-8873  
 Phone: 1-860-974-1551 Fax: 516-706-1901  
 Email: [nofinc@earthlink.net](mailto:nofinc@earthlink.net)  
[www.nationaloutdoorfurniture.com](http://www.nationaloutdoorfurniture.com)