

N.O.F. / Inc.



6' Contour Park Bench with Back, Single Post - Surface Mount.

- Available in 6' and 8' lengths
- Overall Dimensions: 33 13/16"H x 29 5/8"D. 18 13/16" Seat height.
- (8) 2" x 4" Wood style planks.
- All MIG welded frame with zinc plated hardware.
- Frame is 2 3/8" O.D. pipe with powder coated finish or galvanized.
- Available in surface and inground mount.
- One year warranty.
- Some assembly required.

Item #: US 975SM



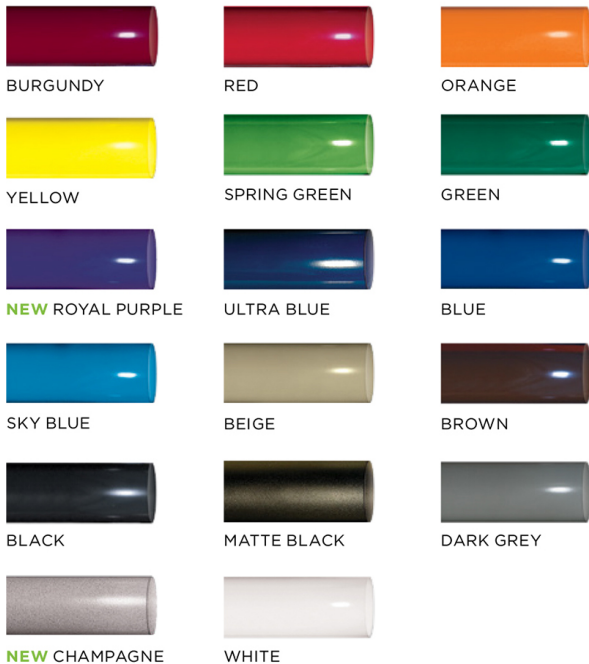
Wood Planks

2" x 10" and 2" x 4" sizes
Rounded Edges
#1 Southern Yellow Pine

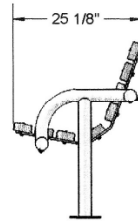
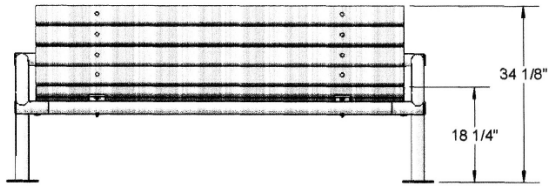
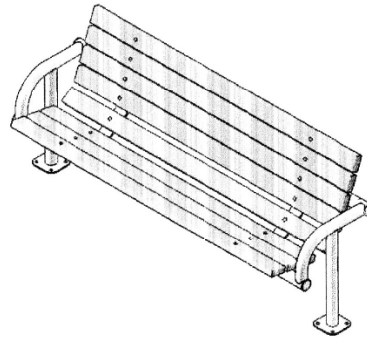
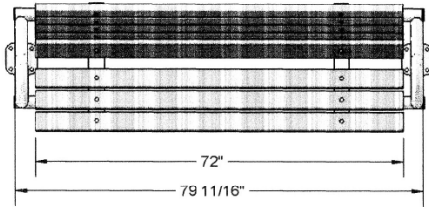
(U) Untreated
(PT) Pressure Treated
Environmentally Friendly ACQ
Kiln Dried Before & After Treatment
(T) Treated Stain
Sealed in Redwood Stain With
Wood Preservative

Model Number	Description
US 975SM-U6	6' Park Bench, 126 Lbs., 2" x 4" Planks, Untreated Pine.
US 975SM-PT6	6' Park Bench, 126 Lbs., 2" x 4" Planks, Treated Pine.
US 975SM-T6	6' Park Bench, 126 Lbs., 2" x 4" Planks, Redwood Stained Pine.
US 975SM-U8	8' Park Bench, 153 Lbs., 2" x 4" Planks, Untreated Pine.
US 975SM-PT8	8' Park Bench, 153 Lbs., 2" x 4" Planks, Treated Pine.
US 975SM-T8	8' Park Bench, 153 Lbs., 2" x 4" Planks, Redwood Stained Pine.

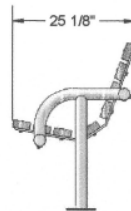
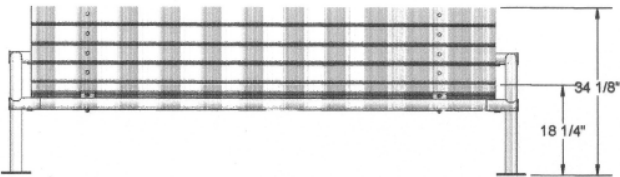
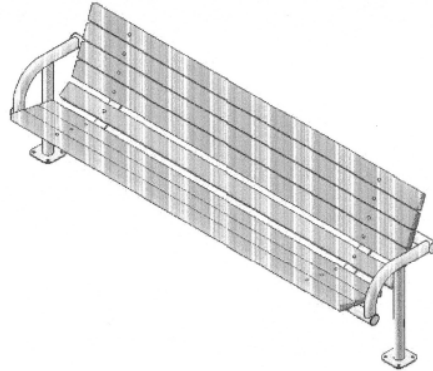
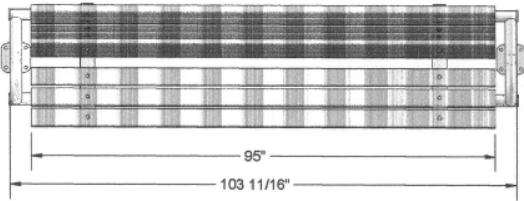
Standard Powder Coat Colors



6' Contour Bench with Back - Single Post



8' Contour Bench with Back - Single Post



NATIONAL OUTDOOR FURNITURE, INC.
1210 W. Main Street #296 Riverhead, NY 11901
Toll-Free Phone: 1-888-663-4621
Phone: 631-369-9099 Fax: 631-207-8312
Email: nofinc@optonline.net
www.nationaloutdoorfurniture.com

NATIONAL OUTDOOR FURNITURE, INC.
144 Murdock Road #325 Pomfret Center, CT 06259
Toll-Free Phone: 1-888-516-8873
Phone: 1-860-974-1551 Fax: 516-706-1901
Email: nofinc@earthlink.net
www.nationaloutdoorfurniture.com