



46" x 57" Regal Table with (3) Attached Seats, Rounded Corners, ADA - Portable.

- 46" x 57" ADA Top.
- 233 lbs.
- Top and seats are made with polyethylene coated 3/4" #9 expanded metal inside a 2" x 2" x 1/8" angle iron frame.
- 1 5/8" zinc coated, powder coated galvanized frame.
- With umbrella hole.
- Surface and inground mounting clamps available.
- Some assembly required.

Item #: WC RS46ADA-3P



Regal Style

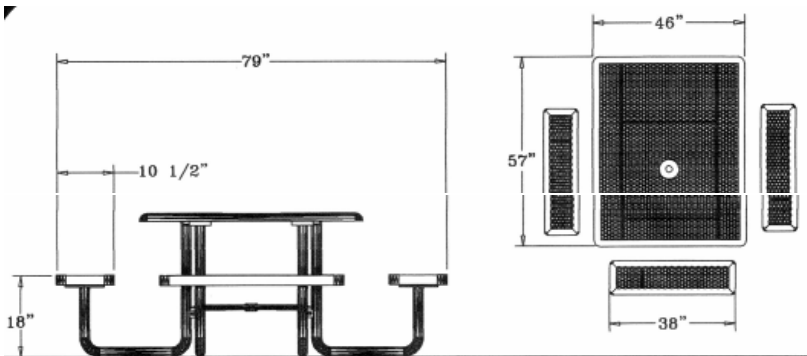
Portable Table Mounting Options



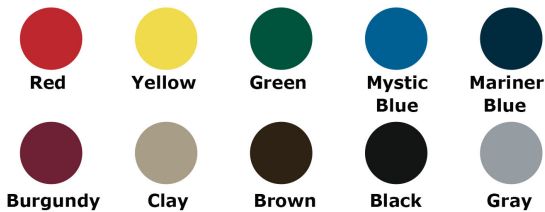
Surface Mounting Clamp



Inground Mounting Clamp



Textured Polyethylene Colors



Powder Coat Gloss Colors



<p>NATIONAL OUTDOOR FURNITURE, INC. 1210 W. Main Street #296 Riverhead, NY 11901 Toll-Free Phone: 1-888-663-4621 Phone: 631-369-9099 Fax: 631-207-8312 Email: nofinc@optonline.net www.nationaloutdoorfurniture.com</p>	<p>NATIONAL OUTDOOR FURNITURE, INC. 144 Murdock Road #325 Pomfret Center, CT 06259 Toll-Free Phone: 1-888-516-8873 Phone: 1-860-974-1551 Fax: 516-706-1901 Email: nofinc@earthlink.net www.nationaloutdoorfurniture.com</p>
---	---