



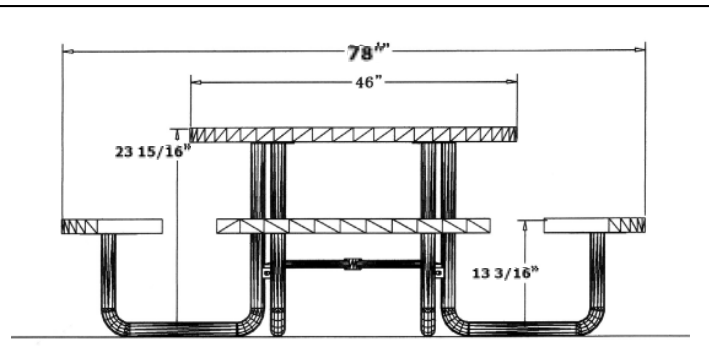
Portable Table Mounting Options



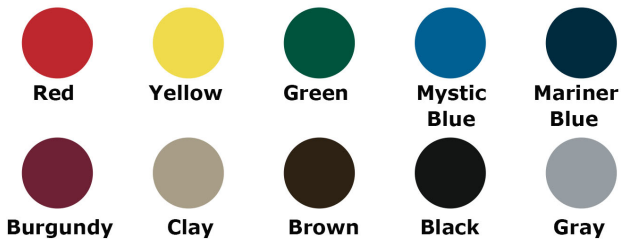
46" Round Elementary Picnic Table with (4) Attached Concave, Solid Top - Portable.

- 204 lbs.
- Polyethylene coated solid top.
- 3/4" #9 Polyethylene expanded metal seats inside a 2" x 2" x 1/8" angle iron frame.
- 1 5/8" zinc coated, powder coated galvanized steel frame.
- With or without umbrella hole.
- Surface and inground mounting clamps available.
- Some assembly required.

NOF#: WC TS46RACS-ELEM



Textured Polyethylene Colors



Powder Coat Gloss Colors



NATIONAL OUTDOOR FURNITURE, INC.

1210 W. Main Street #296 Riverhead, NY 11901
 Toll-Free Phone: 1-888-663-4621
 Phone: 631-369-9099 Fax: 631-207-8312
 Email: nofinc@optonline.net
www.nationaloutdoorfurniture.com

NATIONAL OUTDOOR FURNITURE, INC.

144 Murdock Road #325 Pomfret Center, CT 06259
 Toll-Free Phone: 1-888-516-8873
 Phone: 1-860-974-1551 Fax: 516-706-1901
 Email: nofinc@earthlink.net
www.nationaloutdoorfurniture.com