



46" Round Web Table with (4) Attached Concave Seats - Portable/Surface Mount.

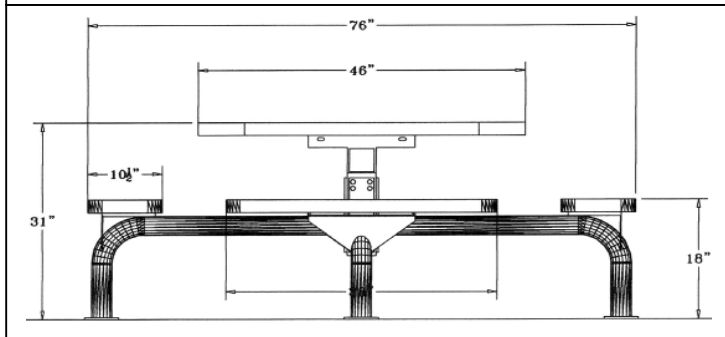
- 255 lbs.
- Top and seats are made with polyethylene coated expanded metal inside a 2" x 2" x 1/8" angle iron frame.
- 2 3/8" zinc coated, powder coated galvanized steel frame.
- Shown with surface mounted covers, not included.
- With umbrella hole.
- Some assembly required.

Item #: WC WRD46PSM



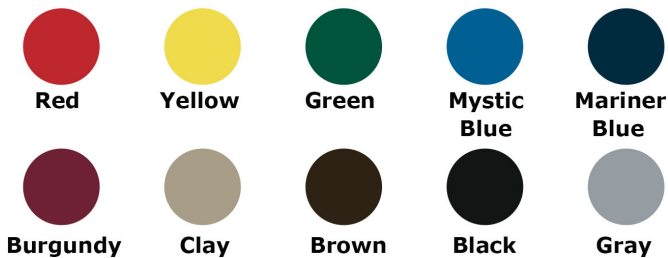
**Regal Web Style
Portable/Surface Mount**

**Surface Mount
Cover Options**



Textured Polyethylene Colors

Powder Coat Gloss Colors



NATIONAL OUTDOOR FURNITURE, INC.

1210 W. Main Street #296 Riverhead, NY 11901
 Toll-Free Phone: 1-888-663-4621
 Phone: 631-369-9099 Fax: 631-207-8312
 Email: nofinc@optonline.net
www.nationaloutdoorfurniture.com

NATIONAL OUTDOOR FURNITURE, INC.

144 Murdock Road #325 Pomfret Center, CT 06259
 Toll-Free Phone: 1-888-516-8873
 Phone: 1-860-974-1551 Fax: 516-706-1901
 Email: nofinc@earthlink.net
www.nationaloutdoorfurniture.com