

# N.O.F. / Inc.



## 4' Trailside Recycled Plastic Bench – Inground Mount.

- Also available in 6' and 8' lengths. Shown in 4 ft. size.
- 100 lbs.
- Dim: 48"W x 14 3/4"D.
- Made with four 4" x 4" recycled plastic slats and (2) black powdercoated steel legs.
- All holes are predrilled and countersunk for plastic lumber.
- Includes a UV protectant.
- Maintenance free.
- Available in green and cedar with black base.
- Some assembly required.

**Item#** JP PB4TRAIING

Model Number	Weight	Dimensions
JP PB4TRAIING	100 Lbs.	48"W x 14 3/4"D.- 2 Bases
JP PB6TRAIING	145 Lbs.	72"W x 14 3/4"D.- 3 Bases
JP PB8TRAIING	195 Lbs.	96"W x 14 3/4"D.- 4 Bases

## Resinwood Slat Colors



Cedar

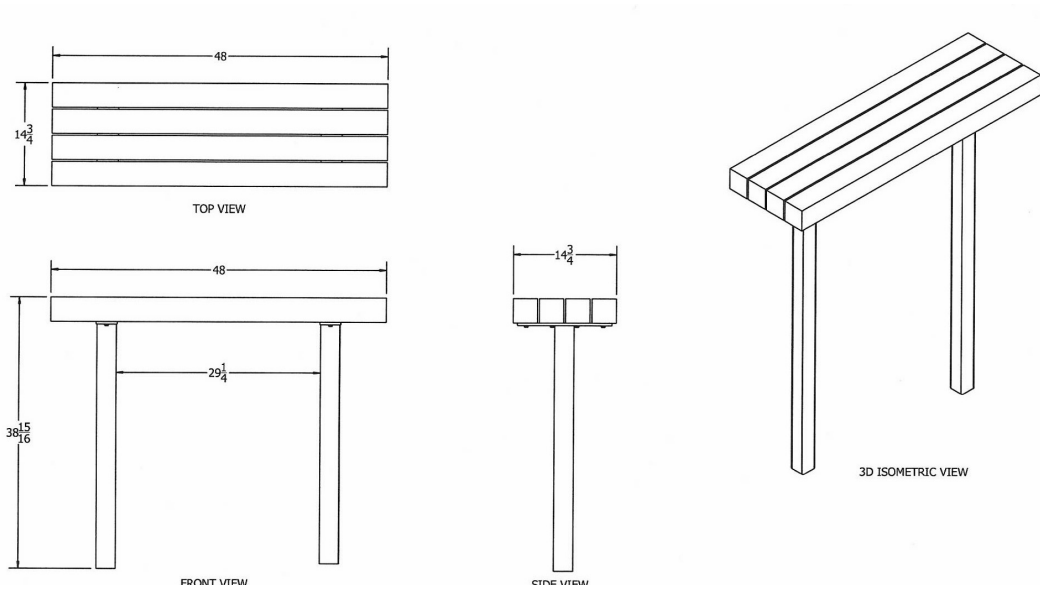


Brown

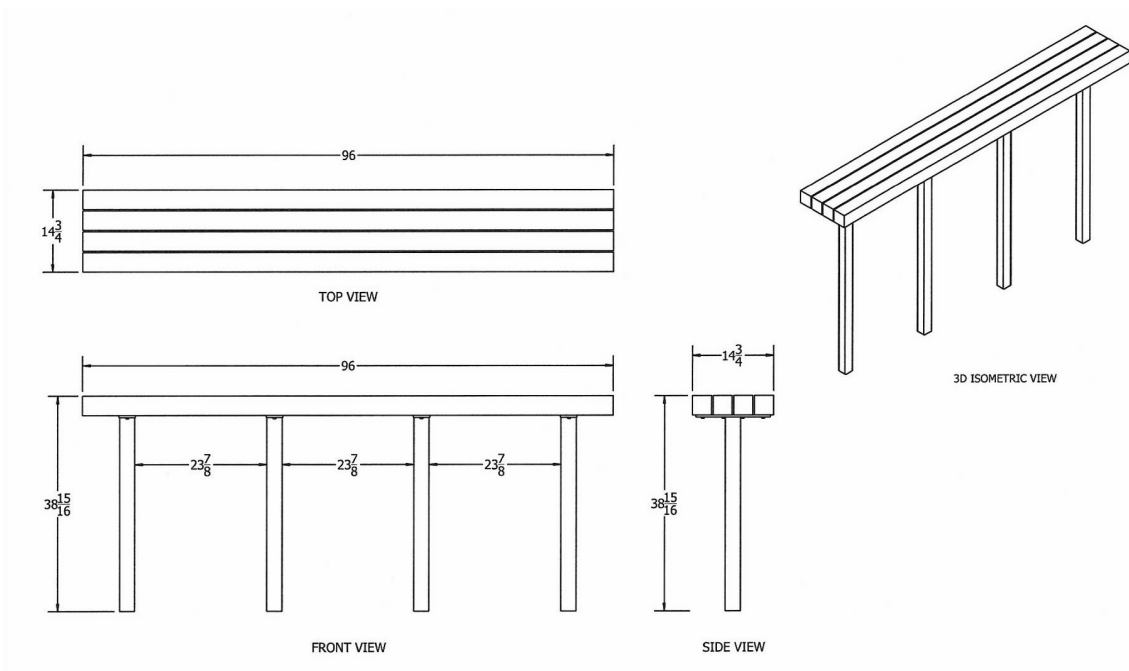


Gray

## 4 Ft Bench



## 8 Ft Bench



**NATIONAL OUTDOOR FURNITURE, INC.**  
 1210 W. Main Street #296 Riverhead, NY 11901  
 Toll-Free Phone: 1-888-663-4621  
 Phone: 631-369-9099 Fax: 631-207-8312  
 Email: [nofinc@optonline.net](mailto:nofinc@optonline.net)  
[www.nationaloutdoorfurniture.com](http://www.nationaloutdoorfurniture.com)

**NATIONAL OUTDOOR FURNITURE, INC.**  
 144 Murdock Road #325 Pomfret Center, CT 06259  
 Toll-Free Phone: 1-888-516-8873  
 Phone: 1-860-974-9996 Fax: 516-706-1901  
 Email: [nofinc@earthlink.net](mailto:nofinc@earthlink.net)  
[www.nationaloutdoorfurniture.com](http://www.nationaloutdoorfurniture.com)