



**Small Message Center without Post - One Sided.**

- 40 lbs.
- Message Center Dim: 26"W x 4"D x 22"High.
- Made with recycled plastic slats.
- Two stainless steel hinges.
- Meets industry standards.
- Shatter proof clear plastic sheet.
- Special coated locking mechanism.
- Top quality cork.
- Includes a UV protectant.
- Available in green and cedar.
- Available with inground or surface mounted post.
- Some assembly required.

**Item #:** JP PBMC1H

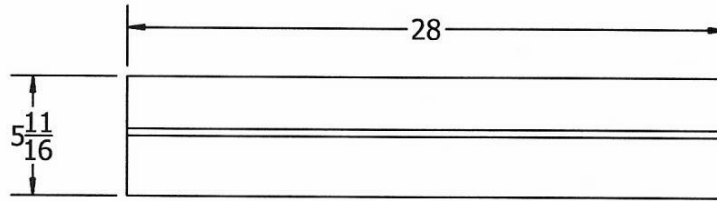
## Resinwood Slat Colors



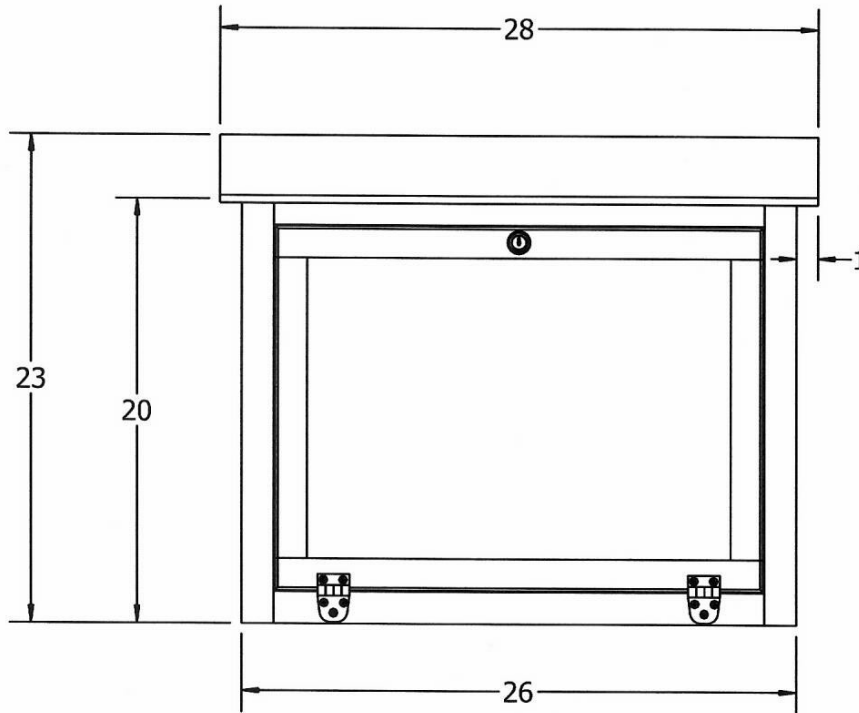
Cedar



Green



TOP VIEW



FRONT VIEW

**NATIONAL OUTDOOR FURNITURE, INC.**  
 1210 W. Main Street #296 Riverhead, NY 11901  
 Toll-Free Phone: 1-888-663-4621  
 Phone: 631-369-9099 Fax: 631-207-8312  
 Email: [nofinc@optonline.net](mailto:nofinc@optonline.net)  
[www.nationaloutdoorfurniture.com](http://www.nationaloutdoorfurniture.com)

**NATIONAL OUTDOOR FURNITURE, INC.**  
 144 Murdock Road #325 Pomfret Center, CT 06259  
 Toll-Free Phone: 1-888-516-8873  
 Phone: 1-860-974-9996 Fax: 516-706-1901  
 Email: [nofinc@earthlink.net](mailto:nofinc@earthlink.net)  
[www.nationaloutdoorfurniture.com](http://www.nationaloutdoorfurniture.com)