



Toddler 6' Recycled Plastic Park Place Picnic Table, Portable - Portable.

- 106 Lbs. Dim: 72"W x 33 3/4"D - Top is 16"D. Seat height is 10 1/2"
- Table top and seats are made with 1" x 6" recycled plastic slats and black recycled plastic base.
- All holes are predrilled and countersunk for plastic lumber.
- Includes a UV protectant.
- Maintenance free.
- No umbrella hole.
- Table top and seats available in green, cedar, and gray with black base.
- Some assembly required.

Item #: JP PB6TODPIC

Resinwood Slat Colors



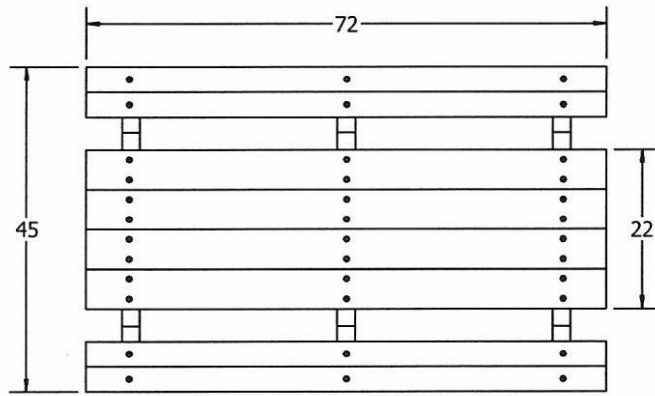
Cedar



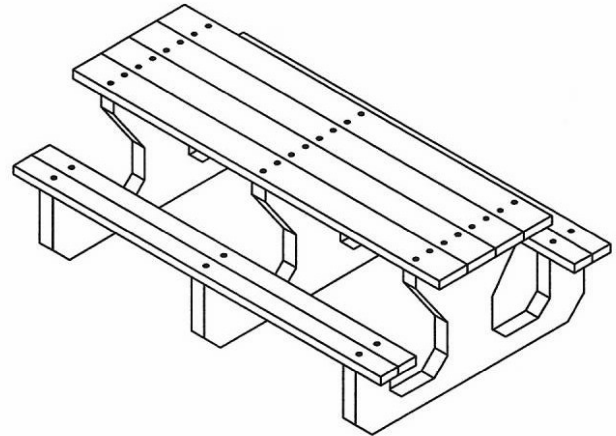
Brown



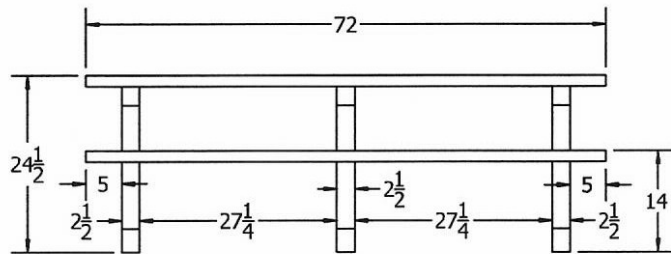
Gray



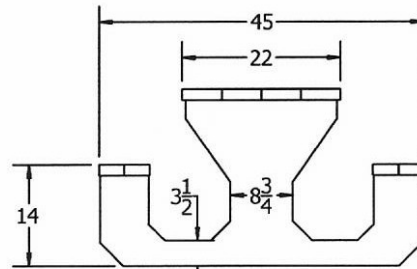
TOP VIEW



3D ISOMETRIC VIEW



FRONT VIEW



SIDE VIEW

NATIONAL OUTDOOR FURNITURE, INC.
 1210 W. Main Street #296 Riverhead, NY 11901
 Toll-Free Phone: 1-888-663-4621
 Phone: 631-369-9099 Fax: 631-207-8312
 Email: nofinc@optonline.net
www.nationaloutdoorfurniture.com

NATIONAL OUTDOOR FURNITURE, INC.
 144 Murdock Road #325 Pomfret Center, CT 06259
 Toll-Free Phone: 1-888-516-8873
 Phone: 1-860-974-9996 Fax: 516-706-1901
 Email: nofinc@earthlink.net
www.nationaloutdoorfurniture.com