



## Bamboo Resin Planter

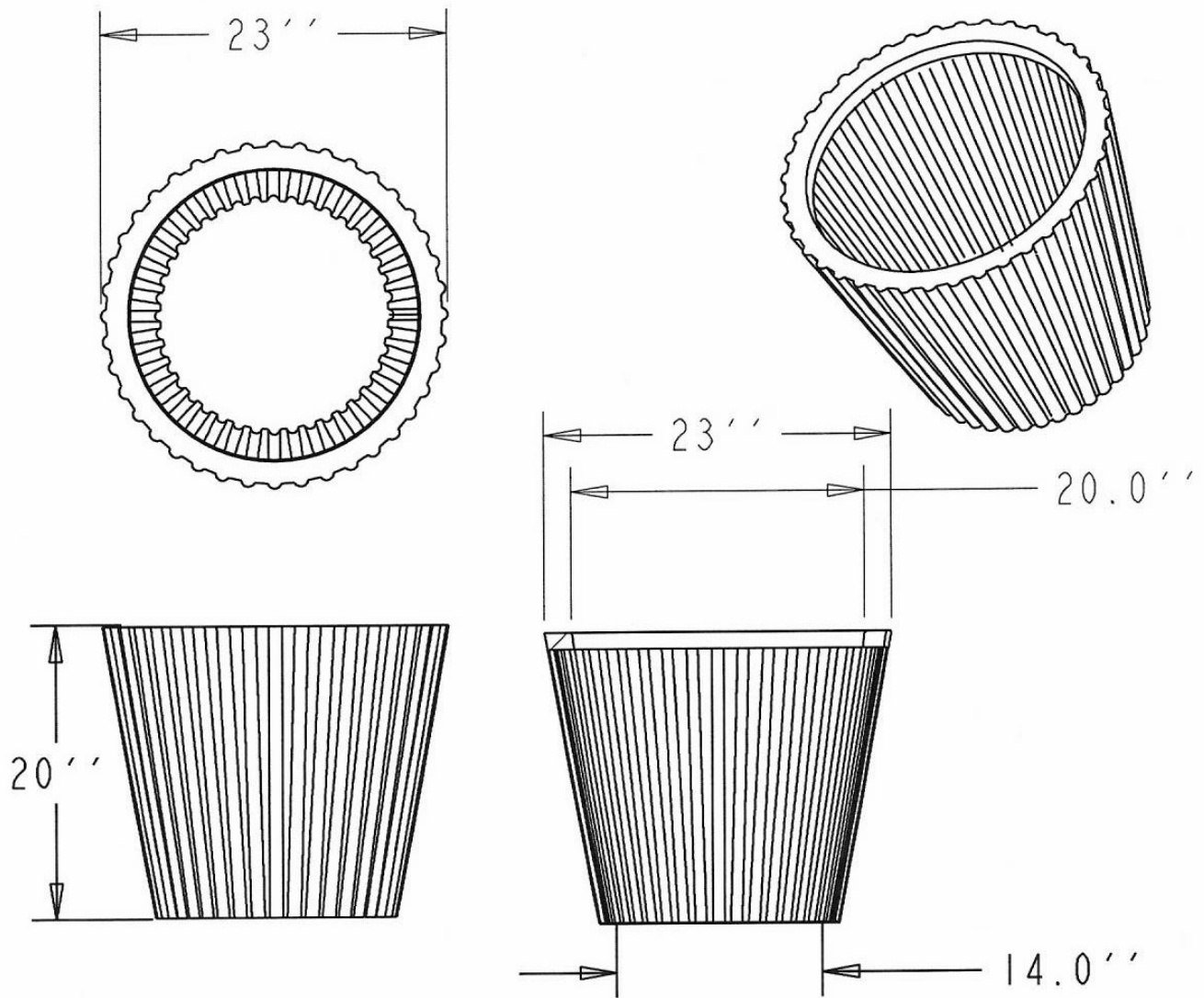
- 19.7 gallon capacity.
- Dimensions: 23" Dia. x 20"Ht. 9 Lbs.
- Linear low density polyethylene resin.
- Round, cylindrical, tapered design.
- Lightweight, high durability.
- Low – No Maintenance.
- Graffiti Resistant.
- MADE IN THE U.S.A.

**Item #:** TC TCJ4



## Resin Planter Colors





**NATIONAL OUTDOOR FURNITURE, INC.**

1210 W. Main Street #296 Riverhead, NY 11901  
 Toll-Free Phone: 1-888-663-4621  
 Phone: 631-369-9099 Fax: 631-207-8312  
 Email: [nofinc@optonline.net](mailto:nofinc@optonline.net)  
[www.nationaloutdoorfurniture.com](http://www.nationaloutdoorfurniture.com)

**NATIONAL OUTDOOR FURNITURE, INC.**

144 Murdock Road #325 Pomfret Center, CT 06259  
 Toll-Free Phone: 1-888-516-8873  
 Phone: 1-860-974-9996 Fax: 516-706-1901  
 Email: [nofinc@earthlink.net](mailto:nofinc@earthlink.net)  
[www.nationaloutdoorfurniture.com](http://www.nationaloutdoorfurniture.com)