



Half Round Resin Planter

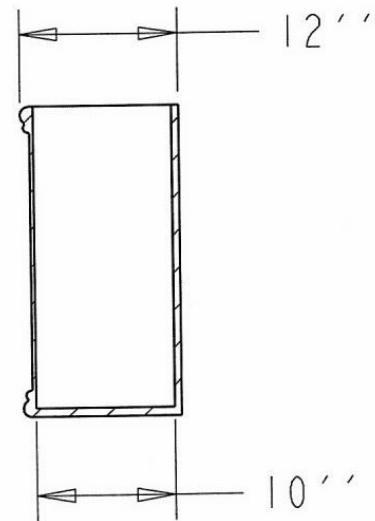
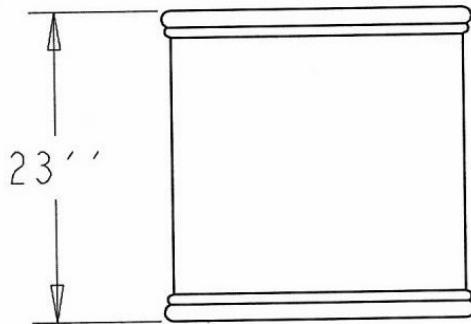
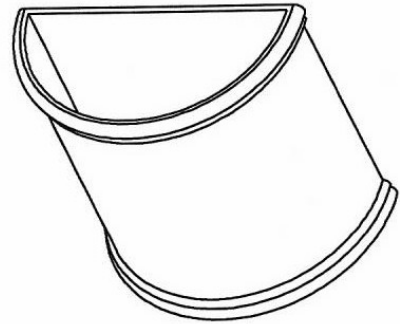
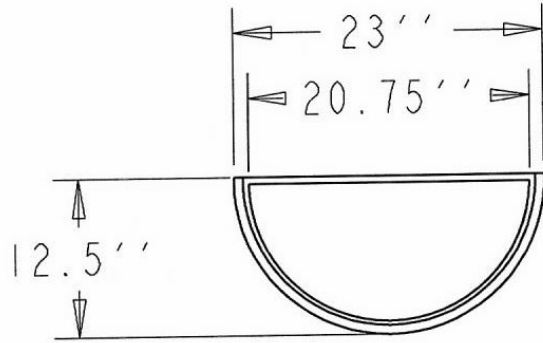
- 12 gallon capacity.
- Dimensions: 23.5" Dia. x 23"Ht.
- Linear low density polyethylene resin.
- Round, cylindrical, half moon design.
- Lightweight, high durability.
- Low – No Maintenance.
- Graffiti Resistant.
- MADE IN THE U.S.A.

Item #: TC THR1



Resin Planter Colors





NATIONAL OUTDOOR FURNITURE, INC.
 1210 W. Main Street #296 Riverhead, NY 11901
 Toll-Free Phone: 1-888-663-4621
 Phone: 631-369-9099 Fax: 631-207-8312
 Email: nofinc@optonline.net
www.nationaloutdoorfurniture.com

NATIONAL OUTDOOR FURNITURE, INC.
 144 Murdock Road #325 Pomfret Center, CT 06259
 Toll-Free Phone: 1-888-516-8873
 Phone: 1-860-974-9996 Fax: 516-706-1901
 Email: nofinc@earthlink.net
www.nationaloutdoorfurniture.com