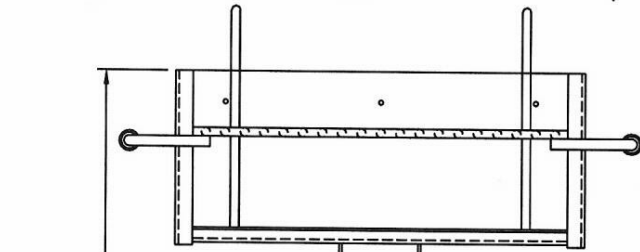
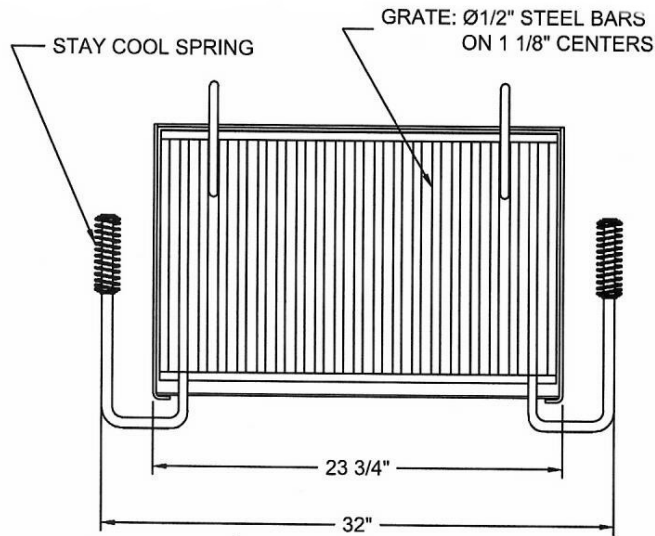




Fully Adjustable Large Park Grill with Tilt Back Grate, 334 Square Inch- Inground Mount.

- 90 Lbs.
- 334 Total square inch cooking surface.
- Firebox size: 23 3/4"L x 16"D x 10 1/8"H.
- Constructed of 3/16" thick steel (A1011) with an integral ash retention flange and drain holes.
- Grates constructed from 1/2" dia. A36 Steel bars located on 1-1/8" centers.
- The four position theft proof grate adjusts from 3 1/2" to 9" above the firebed.
- Grate handles are constructed from 5/8" dia. A36 steel bars equipped with stay cool spring grips suitable for public use.
- The fully adjustable theft proof grate tilts back for easy cleaning.
- Grill is supported by a heavy duty 3 1/2" dia. pipe to be installed in concrete.
- A theft proof base allows the grill to attach to the pipe and to rotate a full 360 degrees.
- Grill design allows grate to lift up and tilt back for ease of cleaning.
- All joints are continuously welded.
- All exposed corners are chamfered for safety.
- Standard finish is a non-toxic black powder coat.
- Some assembly required.

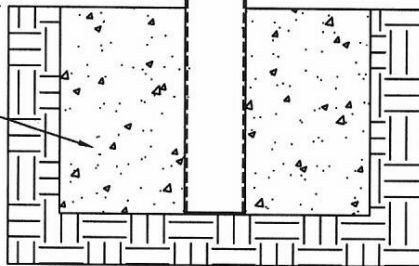
Item #: JTA 13813



38"
FINISHED HEIGHT
WHEN ASSEMBLED
FROM GRADE
(RECOMMENDED)

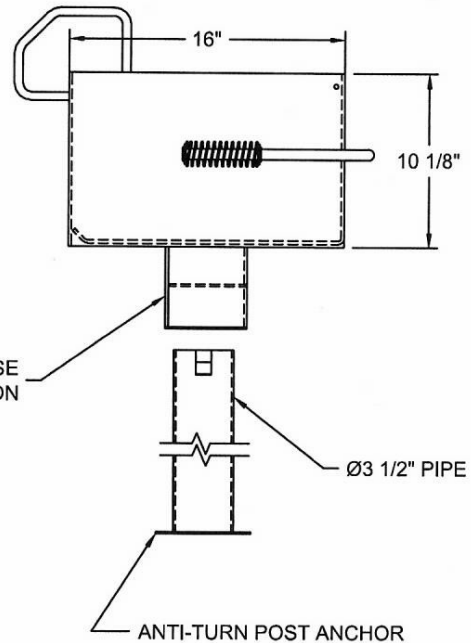
THEFT PROOF BASE
ALLOWS FOR 360° ROTATION

NOTE - SUFFICIENT
AMOUNT OF
CONCRETE SHOULD
BE USED TO
SECURELY HOLD
UNIT IN PLACE FOR
INTENDED USE AND
ENVIRONMENTAL
CONDITIONS



NOTE : CUSTOMER TO PROVIDE CONCRETE (RECOMMENDED)

- Firebox is 23 3/4" long x 16" deep x 10 1/8" high constructed of 3/16" thick steel (A1011) with an integral ash retention flange and drain holes.
- Grate is constructed from 1/2" dia. A36 steel bars located on 1 1/8" centers. The fully adjustable theft proof grate has a cooking area of 334 sq. inches and tilts back for easy cleaning.
- Grate handles are constructed from 5/8" dia. A36 steel bars equipped with stay cool spring grips suitable for public use.
- Grill is supported by a heavy duty 3 1/2" dia. pipe to be installed in concrete. A theft proof base allows the grill to attach to the pipe and to rotate a full 360°.
- All joints are continuously welded.
- All exposed corners are chamfered for safety.
- Standard finish is a non-toxic black powder coat.
- Approximate weight = 90 lbs.



INSTALLATION INSTRUCTIONS:

After post is installed in concrete, lower lock box onto the tabs. Align tabs, push down over tabs and rotate 90°, push down over tabs again.

NATIONAL OUTDOOR FURNITURE, INC.

1210 W. Main Street #296 Riverhead, NY 11901
Toll-Free Phone: 1-888-663-4621
Phone: 631-369-9099 Fax: 631-207-8312
Email: nofinc@optonline.net
www.nationaloutdoorfurniture.com

NATIONAL OUTDOOR FURNITURE, INC.

144 Murdock Road #325 Pomfret Center, CT 06259
Toll-Free Phone: 1-888-516-8873
Phone: 1-860-974-9996 Fax: 516-706-1901
Email: nofinc@earthlink.net
www.nationaloutdoorfurniture.com