

N.O.F. / Inc.



4' Creekside Recycled Plastic Bench – Inground Mount.

- Also available in 6' and 8' lengths. Shown in 4 ft. size.
- 66 lbs.
- Dim: 48"W x 14 3/4"D.
- Made with four 3" x 4" recycled plastic slats and (2) black powdercoated steel legs.
- All holes are predrilled and countersunk for plastic lumber.
- Includes a UV protectant.
- Maintenance free.
- Available in green, cedar, gray and brown with black base.
- Some assembly required.

Item# JP PB4CRKING

Model Number	Weight	Dimensions
JP PB4CRKING	92 Lbs.	48"W x 14 3/4"D.- 2 Bases
JP PB6CRKING	100 Lbs.	72"W x 14 3/4"D.- 3 Bases
JP PB8CRKING	135 Lbs.	96"W x 14 3/4"D.- 4 Bases

Resinwood Slat Colors



Cedar

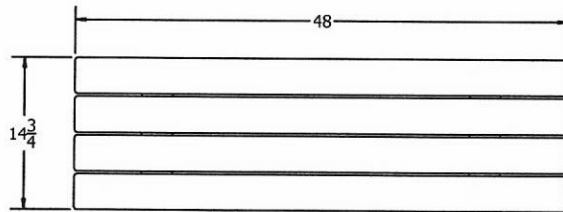


Brown

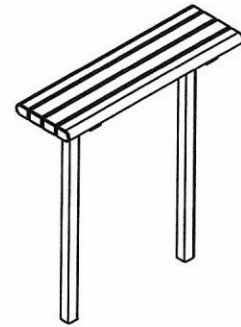


Gray

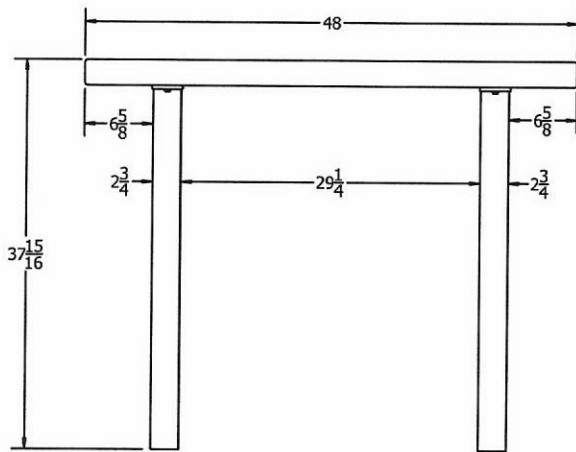
4 Ft. Bench



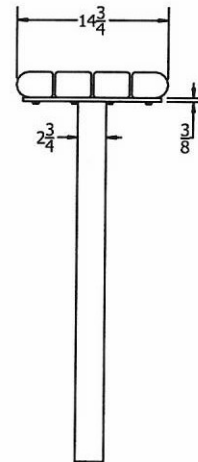
TOP VIEW



3D ISOMETRIC VIEW



FRONT VIEW



SIDE VIEW

NATIONAL OUTDOOR FURNITURE, INC.
 1210 W. Main Street #296 Riverhead, NY 11901
 Toll-Free Phone: 1-888-663-4621
 Phone: 631-369-9099 Fax: 631-207-8312
 Email: nofinc@optonline.net
www.nationaloutdoorfurniture.com

NATIONAL OUTDOOR FURNITURE, INC.
 144 Murdock Road #325 Pomfret Center, CT 06259
 Toll-Free Phone: 1-888-516-8873
 Phone: 1-860-974-9996 Fax: 516-706-1901
 Email: nofinc@earthlink.net
www.nationaloutdoorfurniture.com

NATIONAL OUTDOOR FURNITURE, INC.

1210 W. Main Street #296 Riverhead, NY 11901

Toll-Free Phone: 1-888-663-4621

Phone: 631-369-9099 Fax: 631-207-8312

Email: nofinc@optonline.net

www.nationaloutdoorfurniture.com

NATIONAL OUTDOOR FURNITURE, INC.

144 Murdock Road #325 Pomfret Center, CT 06259

Toll-Free Phone: 1-888-516-8873

Phone: 1-860-974-9996 Fax: 516-706-1901

Email: nofinc@earthlink.net

www.nationaloutdoorfurniture.com