



Recycling Center – Two 32 Gallon Round Recycled Plastic Trash Recycling Containers.

- 150 lbs.
- Containers made of 1" x 4" recycled plastic slats and rust-proof recycled plastic rings.
- 4" x 4" Post can be anchored into the ground or cut off and surface mounted. Post is clearly labeled with "recycle".
- Each container is engraved with the label of your choice: glass, cans, aluminum, plastic, bottles, paper.
- Includes a UV protectant.
- Liners sold separately.
- Containers available in cedar, gray and green with black lid.
- Recycled plastic made from 100% recycled material.
- Some assembly required.

Item #: JP PB32RDBL2

Resinwood Slat Colors



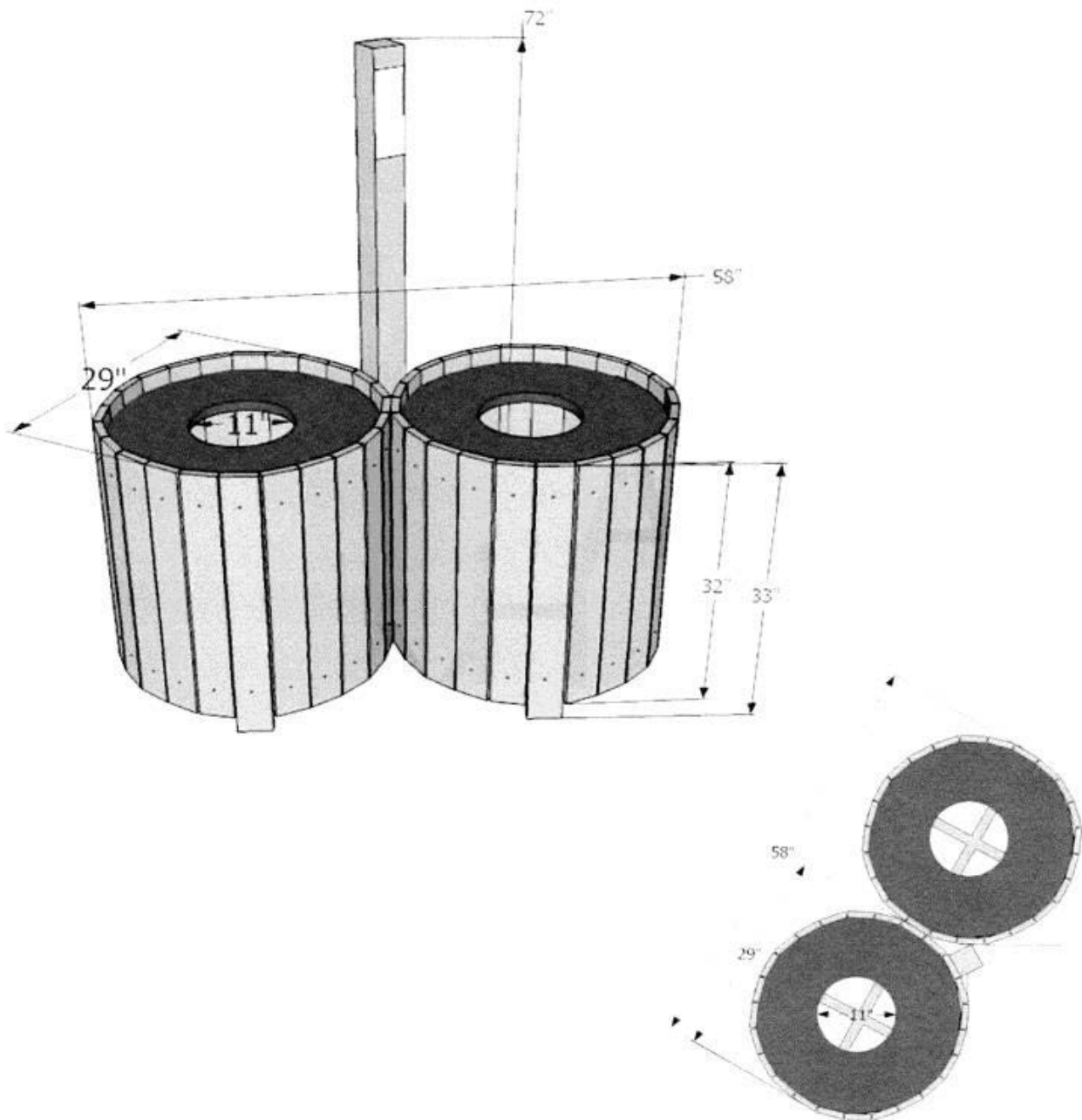
Cedar



Brown



Gray



NATIONAL OUTDOOR FURNITURE, INC.
 1210 W. Main Street #296 Riverhead, NY 11901
 Toll-Free Phone: 1-888-663-4621
 Phone: 631-369-9099 Fax: 631-207-8312
 Email: nofinc@optonline.net
www.nationaloutdoorfurniture.com

NATIONAL OUTDOOR FURNITURE, INC.
 144 Murdock Road #325 Pomfret Center, CT 06259
 Toll-Free Phone: 1-888-516-8873
 Phone: 1-860-974-9996 Fax: 516-706-1901
 Email: nofinc@earthlink.net
www.nationaloutdoorfurniture.com