

N.O.F. / Inc.



4' Deco Recycled Plastic Bench

- 78 lbs.
- Dimensions: 48 L x 16 1/4 D x 16 3/8"H.
- Made with two 7 1/4" wide x 2 1/2" thick recycled plastic slats.
- Two 2" x 2" Square black polyester powder coated steel legs. 8' bench has three legs.
- Includes a UV protectant.
- Available in free standing, surface and inground mount style.
- Available in free standing, surface and inground mount style.
- Available in brown or gray recycled plastic slats.
- Available in 4', 5', 6' and 8' lengths.
- Some assembly required.
- Recycled plastic made from 100% recycled material.
- Made in the U.S.A.

Item #: KR DB 48

KR DB48	78 Lbs. 4 Ft. Bench
KR DB60	91 Lbs. 5 Ft. Bench
KR DB72	104 Lbs. 6 Ft. Bench
KR DB96	143 Lbs. 8 Ft. Bench

Powder Coated Finishes



White

Black

Evergreen

Dark Green



Tan

Brown

Blue

Bronze

PRODUCT SPECIFICATIONS

DECO BENCH - 4FT

MOUNTING BASE TYPE INCLUDE:

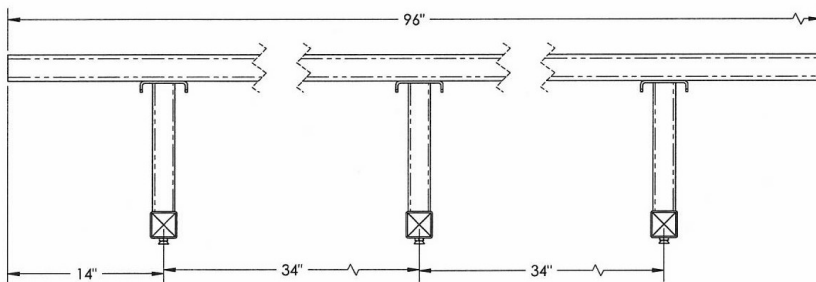
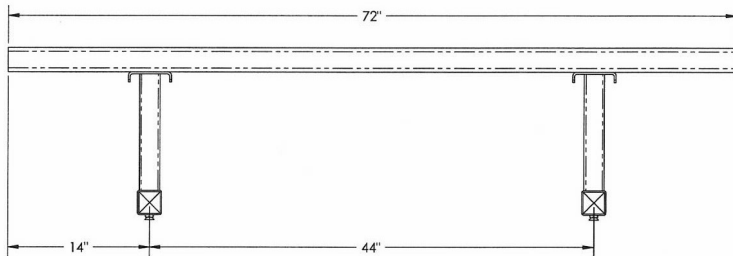
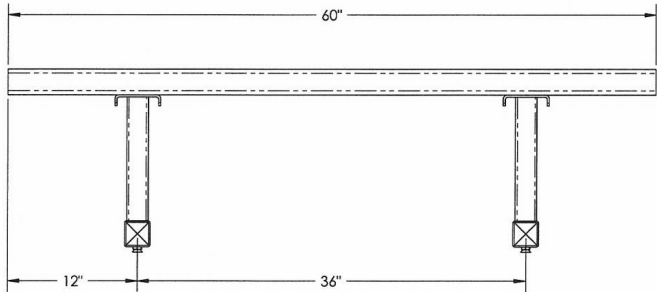
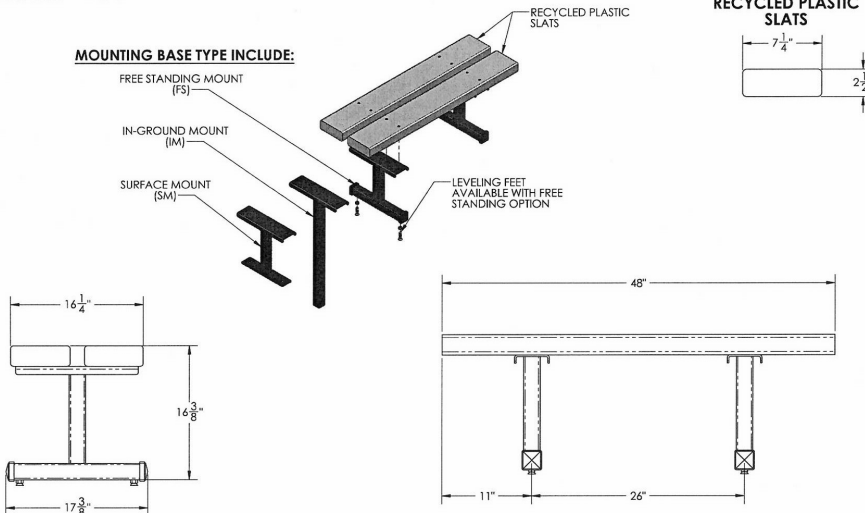
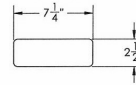
FREE STANDING MOUNT (FS)

IN-GROUND MOUNT (IM)

SURFACE MOUNT (SM)

LEVELING FEET
AVAILABLE WITH FREE
STANDING OPTION

**RECYCLED PLASTIC
SLATS**



NATIONAL OUTDOOR FURNITURE, INC.
 1210 W. Main Street #296 Riverhead, NY 11901
 Toll-Free Phone: 1-888-663-4621
 Phone: 631-369-9099 Fax: 631-207-8312
 Email: nofinc@optonline.net
www.nationaloutdoorfurniture.com

NATIONAL OUTDOOR FURNITURE, INC.
 144 Murdock Road #325 Pomfret Center, CT 06259
 Toll-Free Phone: 1-888-516-8873
 Phone: 1-860-974-9996 Fax: 516-706-1901
 Email: nofinc@earthlink.net
www.nationaloutdoorfurniture.com