



Youth 6' Recycled Plastic Park Place Picnic Table, Portable.

- 230 lbs. Dim: 72"W x 45 1/2"D x 25"H. Top is 21 1/2"D. Seat height is 14"
- Table top and seats are made with 2" x 4" and 2" x 6" recycled plastic slats and black recycled plastic base.
- Includes a UV protectant.
- Maintenance free.
- No umbrella hole.
- Table top and seats available in cedar and green with black base.
- Some assembly required.

Item #: JP PB6YOUPIC

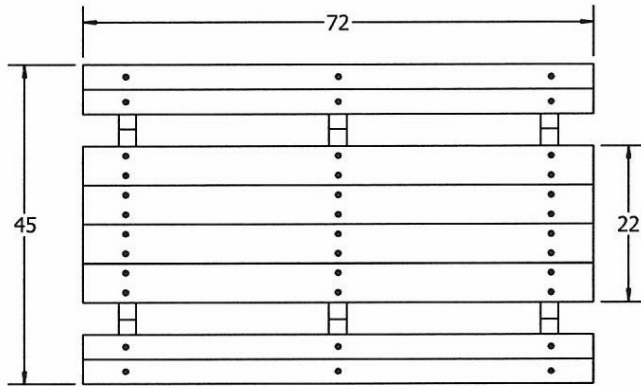
Resinwood Slat Colors



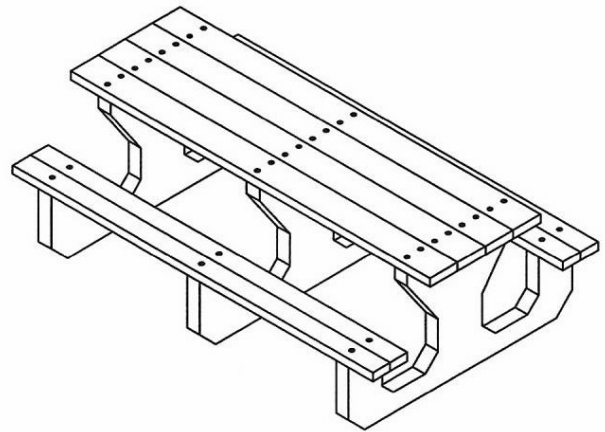
Cedar



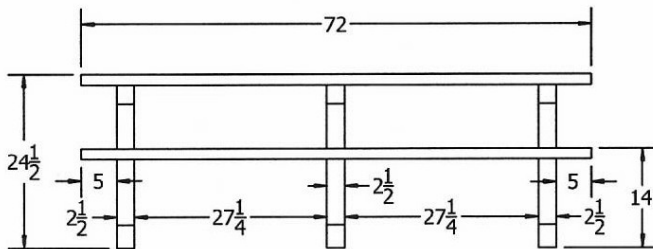
Green



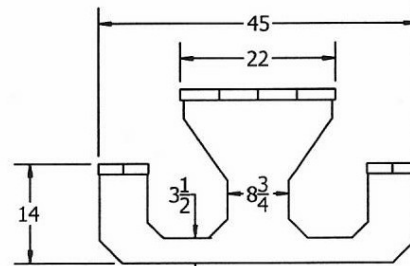
TOP VIEW



3D ISOMETRIC VIEW



FRONT VIEW



SIDE VIEW

NATIONAL OUTDOOR FURNITURE, INC.

1210 W. Main Street #296 Riverhead, NY 11901
 Toll-Free Phone: 1-888-663-4621
 Phone: 631-369-9099 Fax: 631-207-8312
 Email: nofinc@optonline.net
www.nationaloutdoorfurniture.com

NATIONAL OUTDOOR FURNITURE, INC.

144 Murdock Road #325 Pomfret Center, CT 06259
 Toll-Free Phone: 1-888-516-8873
 Phone: 1-860-974-9996 Fax: 516-706-1901
 Email: nofinc@earthlink.net
www.nationaloutdoorfurniture.com