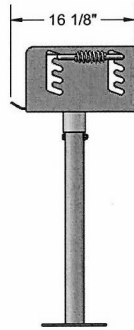
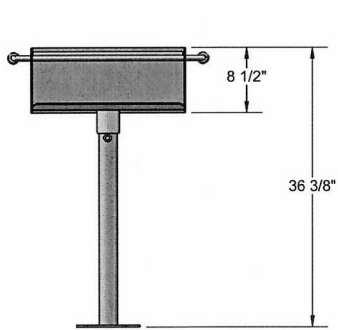
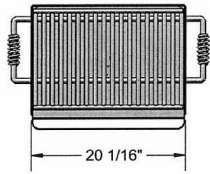


Adjusting Rotating Grill, 280 and 300 Square Inch Cooking Surface- Surface Mount.

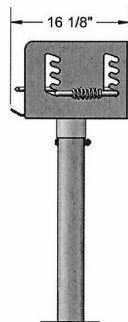
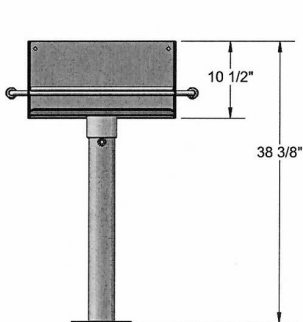
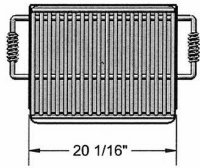
- 52 - 84 Lbs.
- 280 and 300 Total square inch cooking surface.
- Firebox size: 280 Sq. Inch: 20"L x 14"D x 8"H.
300 Sq. Inch: 20"L x 15"D x 10"H.
- Grill rotates a full 360 degrees.
- 2 3/8" and 3 1/2" posts available.
- Also available with utility shelf.
- Cooking grate has cool coil handles and can be adjusted to four different levels.
- All MIG welded 7 gauge base plate with 10 gauge side plate.
- Galvanized iron pipe post. Inground mount.
- Durable rust resistant high temp black powder coated firebox.
- ADA, surface mounted and inground mounted versions available.
- Optional hot dipped galvanized firebox and utility shelf.
- Some assembly required.

Item #: US 620SM

US 620SM-3 280 Sq. Inch Grill - Surface Mount.
US 630SM-3 300 Sq. Inch Grill - Surface Mount.



US 620SM-3



US 630SM-3

NATIONAL OUTDOOR FURNITURE, INC.
1210 W. Main Street #296 Riverhead, NY 11901
Toll-Free Phone: 1-888-663-4621
Phone: 631-369-9099 Fax: 631-207-8312
Email: nofinc@optonline.net
www.nationaloutdoorfurniture.com

NATIONAL OUTDOOR FURNITURE, INC.
144 Murdock Road #325 Pomfret Center, CT 06259
Toll-Free Phone: 1-888-516-8873
Phone: 1-860-974-9996 Fax: 516-706-1901
Email: nofinc@earthlink.net
www.nationaloutdoorfurniture.com