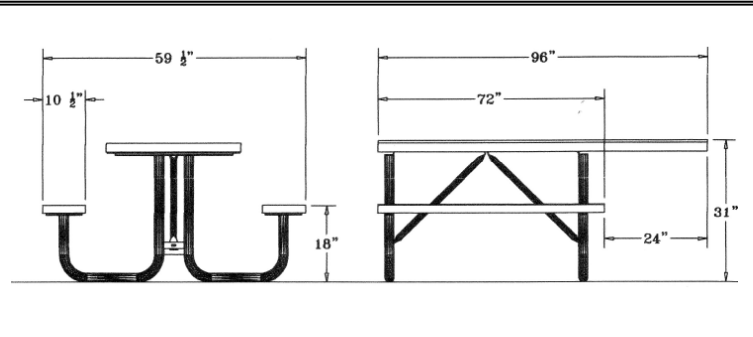


**6' UltraLeisure Table with (2) 4' Attached Seats, Rounded Corners – ADA/Portable. 2' Extension on one side.**

- 198 lbs.
- Overall Dim: 72"L x 59 1/2"W x 31"Ht.
- Top and seats are made with polyethylene 3/4" #9 expanded metal inside a 1" x 1 7/8" x 1/8" angle iron frame.
- 2 3/8" O.D. Black zinc coated, powder coated galvanized frame.
- Without umbrella hole.
- Surface and inground mounting clamps available.
- Some assembly required.

**Item #:** WC UP6ADAP

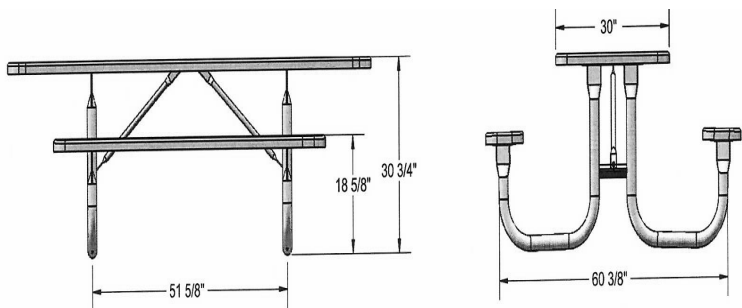
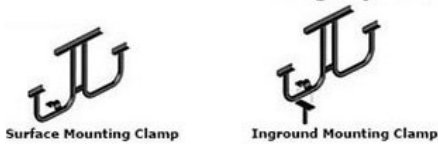


**8' UltraLeisure Table with (2) 6' Attached Seats, Rounded Corners – ADA/Portable. Table will be centered.**

- 250 lbs.
- Overall Dim: 96"L x 59 1/2"W x 31"Ht.
- Top and seats are made with plastisol or polyethylene 3/4" #9 expanded metal inside a 1" x 1 7/8" x 1/8" angle iron frame.
- 2 3/8" O.D. Black zinc coated, powder coated galvanized frame.
- Without umbrella hole.
- centered.
- Surface and inground mounting clamps available.
- Some assembly required.

**Item #:** WC UP8ADAP

**Portable Table Mounting Options**



**UltraLeisure Thermoplastic Colors**



**NATIONAL OUTDOOR FURNITURE, INC.**  
 1210 W. Main Street #296 Riverhead, NY 11901  
 Toll-Free Phone: 1-888-663-4621  
 Phone: 631-369-9099 Fax: 631-207-8312  
 Email: [nofinc@optonline.net](mailto:nofinc@optonline.net)  
[www.nationaloutdoorfurniture.com](http://www.nationaloutdoorfurniture.com)

**NATIONAL OUTDOOR FURNITURE, INC.**  
 144 Murdock Road #325 Pomfret Center, CT 06259  
 Toll-Free Phone: 1-888-516-8873  
 Phone: 1-860-974-1551 Fax: 516-706-1901  
 Email: [nofinc@earthlink.net](mailto:nofinc@earthlink.net)  
[www.nationaloutdoorfurniture.com](http://www.nationaloutdoorfurniture.com)