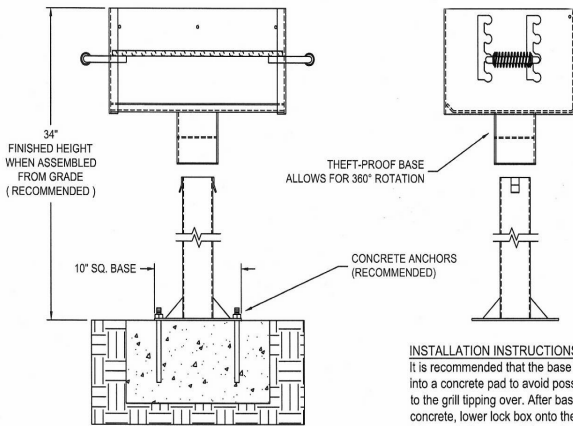




Standard Park Grill, 300 Square Inch - Pad and Inground Mount.

- 76 Lbs.
- 300 Total square inch cooking surface.
- Firebox size: 20 3/8"L x 15"D x 10 1/8"H.
- Constructed of 3/16" thick steel (A1011) with an integral ash retention flange and drain holes.
- Grates constructed from 1/2" dia. A36 Steel bars located on 1-1/8" centers.
- The four position theft proof grate adjusts from 3 1/2" to 9" above the firebed.
- Grate handles are constructed from 5/8" dia. A36 steel bars equipped with stay cool spring grips suitable for public use.
- Inground mount post is 3 1/2" dia. x 40" in length.
- Pad mounted post is 3 1/2" dia. x 24" in length. Post mounting plate is 3/16" thick x 10" x 10" and has four holes located on 8 1/2" centers.
- A theft proof base allows the grill to attach to the pipe and to rotate a full 360 degrees.
- All joints are continuously welded.
- All exposed corners are chamfered for safety.
- Standard finish is a non-toxic black powder coat.
- Some assembly required.

Item #: JTA 100BK



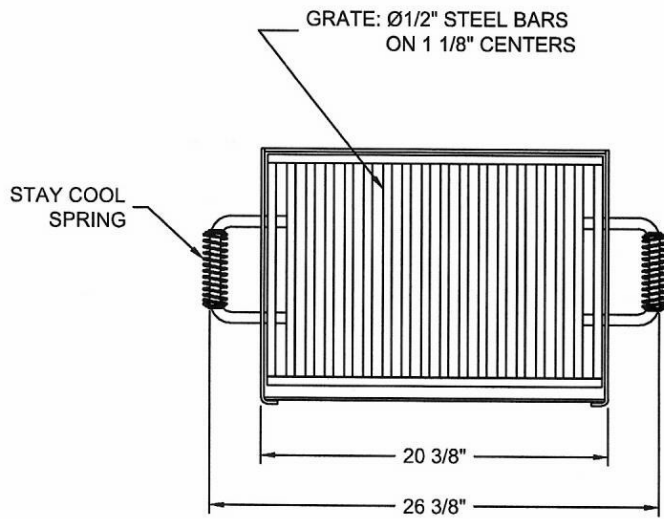
INSTALLATION INSTRUCTIONS:
It is recommended that the base is anchored into a concrete pad to avoid possible injury due to the grill tipping over. After base is installed in concrete, lower lock box onto the tabs. Align tabs, push down over tabs and rotate 90°, push down over tabs again.

NOTE : CUSTOMER TO PROVIDE CONCRETE (RECOMMENDED)

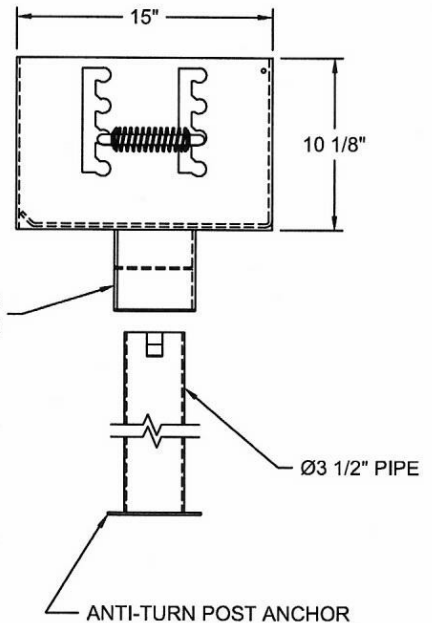
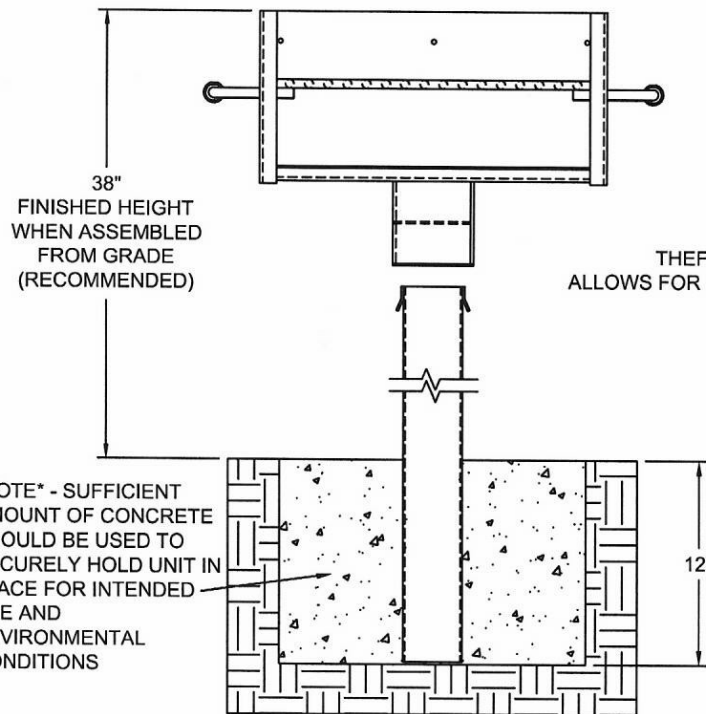
WARNING: MUST BE PERMANENTLY MOUNTED



Pad Mounted Post



- Firebox is 20 3/8" long x 15" deep x 10 1/8" high constructed of 3/16" thick steel (A1011) with an integral ash retention flange and drain holes.
- Grate is constructed from 1/2" dia. A36 steel bars located on 1 1/8" centers. The four position theft proof grate adjusts from 3 1/2" to 9" above the firebed, and has a cooking area of 300 sq. inches.
- Grate handles are constructed from 5/8" dia. A36 steel bars equipped with stay cool spring grips suitable for public use.
- Grill is supported by a heavy duty 3 1/2" dia. pipe to be installed in concrete. A theft proof base allows the grill to attach to the pipe and to rotate a full 360°.
- All joints are continuously welded.
- All exposed corners are chamfered for safety.
- Standard finish is a non-toxic black powder coat.
- Approximate weight = 76 lbs.



NOTE : CUSTOMER TO PROVIDE CONCRETE (RECOMMENDED)

INSTALLATION INSTRUCTIONS:

**After post is installed in concrete, lower lock box onto the tabs. Align tabs, push down over tabs and rotate 90°, push down over tabs again.

NATIONAL OUTDOOR FURNITURE, INC.
 1210 W. Main Street #296 Riverhead, NY 11901
 Toll-Free Phone: 1-888-663-4621
 Phone: 631-369-9099 Fax: 631-207-8312
 Email: nofinc@optonline.net
www.nationaloutdoorfurniture.com

NATIONAL OUTDOOR FURNITURE, INC.
 144 Murdock Road #325 Pomfret Center, CT 06259
 Toll-Free Phone: 1-888-516-8873
 Phone: 1-860-974-9996 Fax: 516-706-1901
 Email: nofinc@earthlink.net
www.nationaloutdoorfurniture.com