

# N.O.F. / Inc.



## 32 and 55 Gallon Square Recycled Plastic Trash Receptacle.

- 75 lbs.
- Made with twentyeight 1" x 4" recycled plastic slats.
- Stands on four legs.
- Includes a UV protectant.
- Dome top and rain bonnet sold separately. No liner.
- Available in brown, cedar, green and gray with black lid.
- Some assembly required.
- Flat top lid included.

**Item #:** JP PB32S

JP PB32S	32 Gallon Trash Receptacle
JP PB55S	55 Gallon Trash Receptacle

### Resinwood Slat Colors



Cedar



Green



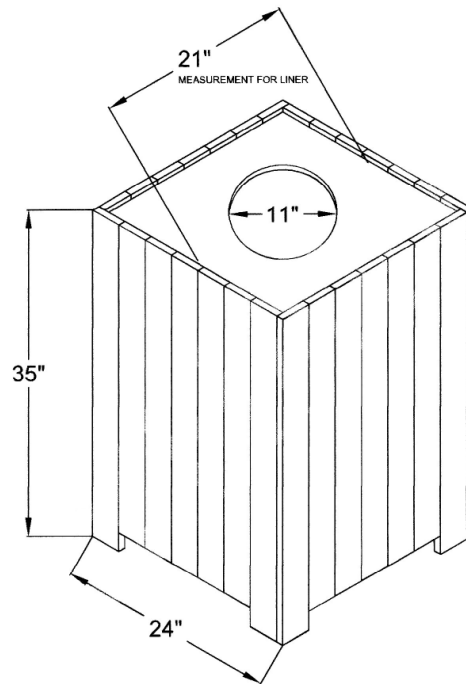
Gray



Brown



### Lid Options



- MADE WITH TWENTY-EIGHT 1"X 4" RECYCLED PLASTIC SLATS.
- RECYCLED PLASTIC STRUCTURE
- LINER NOT INCLUDED
- UNIT WEIGHT APPROX. 90 LBS.

### NATIONAL OUTDOOR FURNITURE, INC.

1210 W. Main Street #296 Riverhead, NY 11901

Toll-Free Phone: 1-888-663-4621

Phone: 631-369-9099 Fax: 631-207-8312

Email: [nofinc@optonline.net](mailto:nofinc@optonline.net)

[www.nationaloutdoorfurniture.com](http://www.nationaloutdoorfurniture.com)

### NATIONAL OUTDOOR FURNITURE, INC.

144 Murdock Road #325 Pomfret Center, CT 06259

Toll-Free Phone: 1-888-516-8873

Phone: 1-860-974-1551 Fax: 516-706-1901

Email: [nofinc@earthlink.net](mailto:nofinc@earthlink.net)

[www.nationaloutdoorfurniture.com](http://www.nationaloutdoorfurniture.com)