



#### **Recycled Plastic Bike Rack.**

- *Surface mounting kit available.*
- 135 Lbs.
- Dim: 63"W x 42"D x 32 1/4"H.
- Made with 2" x 4" and 2" x 3" Resinwood slats.
- Designed to hold 6–10 bikes, and it can hold bikes on both sides.
- Heavy duty, zinc coated hardware standard.
- Includes a UV protectant.
- Maintenance free.
- Available in green and cedar.
- Some assembly required.

**Item #:** JP PBIKE

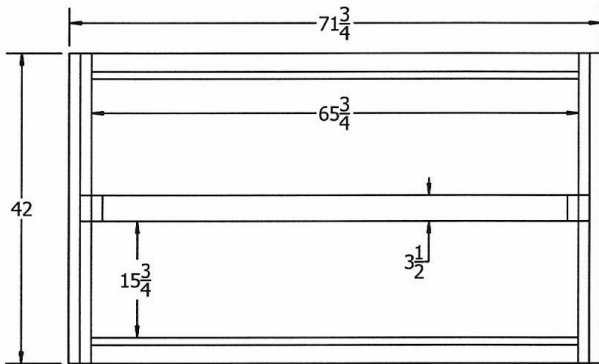
## Resinwood Slat Colors



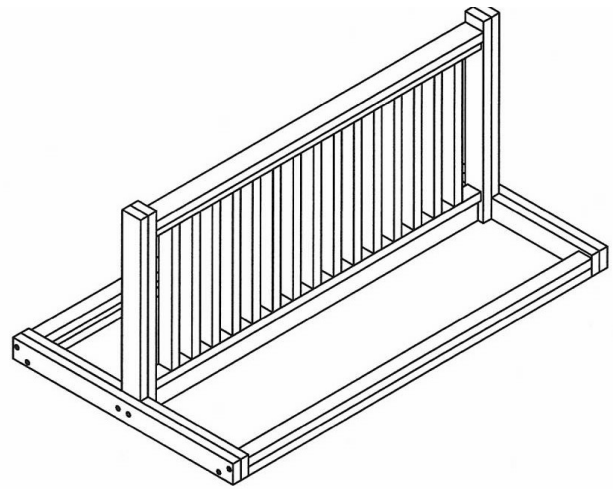
Cedar



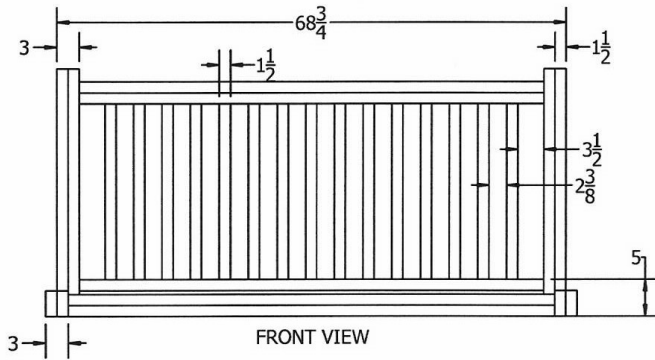
Green



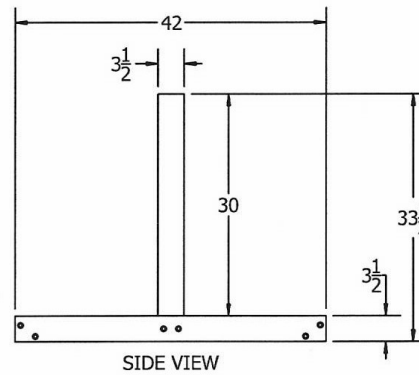
TOP VIEW



3D ISOMETRIC VIEW



FRONT VIEW



SIDE VIEW

**NATIONAL OUTDOOR FURNITURE, INC.**

1210 W. Main Street #296 Riverhead, NY 11901  
 Toll-Free Phone: 1-888-663-4621  
 Phone: 631-369-9099 Fax: 631-207-8312  
 Email: [nofinc@optonline.net](mailto:nofinc@optonline.net)  
[www.nationaloutdoorfurniture.com](http://www.nationaloutdoorfurniture.com)

**NATIONAL OUTDOOR FURNITURE, INC.**

144 Murdock Road #325 Pomfret Center, CT 06259  
 Toll-Free Phone: 1-888-516-8873  
 Phone: 1-860-974-9996 Fax: 516-706-1901  
 Email: [nofinc@earthlink.net](mailto:nofinc@earthlink.net)  
[www.nationaloutdoorfurniture.com](http://www.nationaloutdoorfurniture.com)