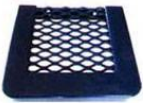
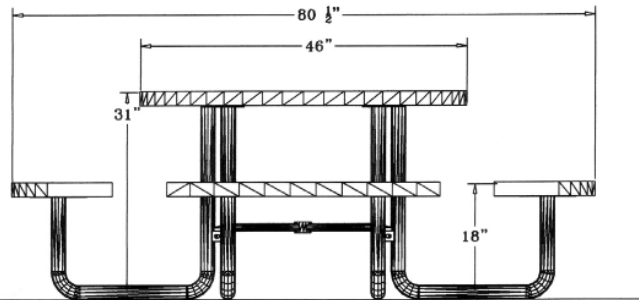




46" Round Canteen Table with (4) Attached Concave, Solid Top - Portable.

- 239 lbs.
- Polyethylene coated solid top.
- 3/4" #9 Polyethylene expanded metal seats inside a 2" x 2" x 1/8" angle iron frame.
- 1 5/8" Zinc coated, powder coated galvanized steel frame.
- With umbrella hole.
- Surface and inground mounting clamps available.
- Some assembly required.

NOF#: WC RSRD46P



Regal Style Portable

Portable Table Mounting Options



Surface Mounting Clamp



Inground Mounting Clamp

Textured Polyethylene Colors



Powder Coat Gloss Finishes



Thermoplastic Color Options



National Outdoor Furniture
1210 W. Main Street #296
Riverhead, N.Y. 11901

PHONE (888) 663-4621
E-MAIL nofinc1@gmail.com

www.nationaloutdoorfurniture.com