

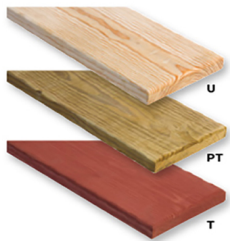
# N.O.F. / Inc.



## 6' Heavy Duty Wood Picnic Table -Portable.

- 156 - 195 Lbs.
- Overall Dimensions: 72"L x 62"W x 30"H..
- Frame available in 1 5/8" and 2 3/8" O.D. pipe with 1 5/16" O.D. brace.
- All MIG welded frame with zinc or galvanized plated hardware.
- Pre-drilled holes for surface mounting frame.
- Zinc coated, galvanized, powder coated or galvanized legs.
- Without umbrella hole.
- Available in 2" x 10" untreated pine, treated pine and redwood stained pine planks.
- Some assembly required.

**Item #:** US 158-6



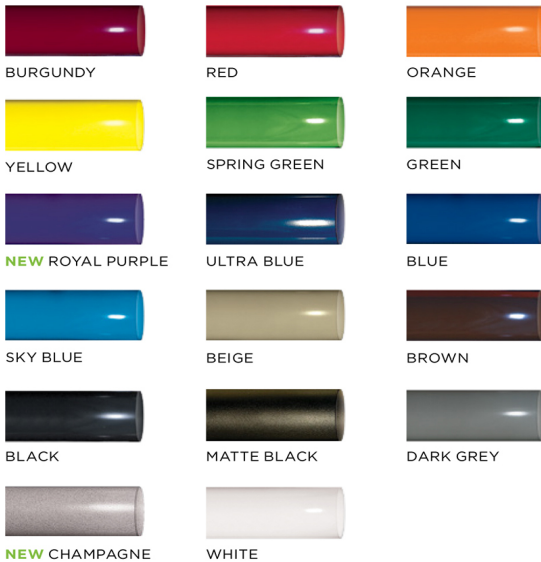
## Wood Planks

2" x 10" and 2" x 4" sizes  
Rounded Edges  
#1 Southern Yellow Pine

(U) Untreated  
(PT) Pressure Treated  
Environmentally Friendly ACQ  
Kiln Dried Before & After Treatment  
(T) Treated Stain  
Sealed in Redwood Stain With  
Wood Preservative

Number	Description
US 158-U6	6' Table, 1 5/8" O.D. Pipe, Untreated Pine, Portable.
US 158-PT6	6' Table, 1 5/8" O.D. Pipe, Treated Pine, Portable.
US 158-T6	6' Table, 1 5/8" O.D. Pipe, Redwood Stained Pine, Portable.
US 238-U6	6' Table, 2 3/8" O.D. Pipe, Untreated Pine, Portable.
US 238-PT6	6' Table, 2 3/8" O.D. Pipe, Treated Pine, Portable.
US 238-T6	6' Table, 2 3/8" O.D. Pipe, Redwood Stained Pine,

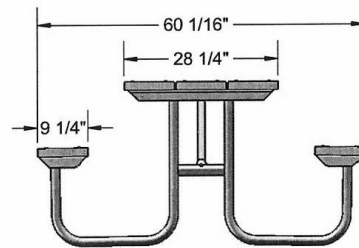
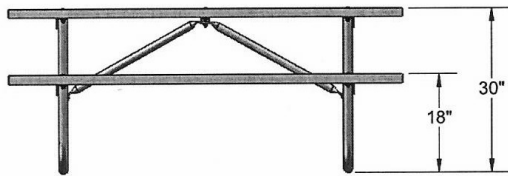
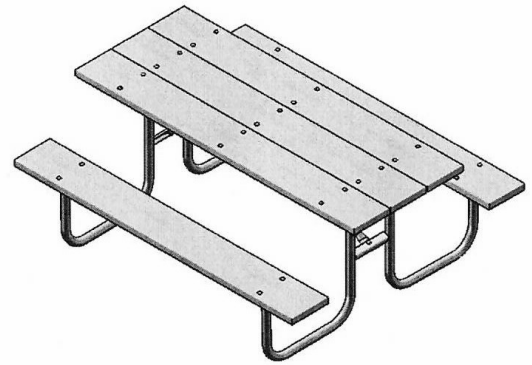
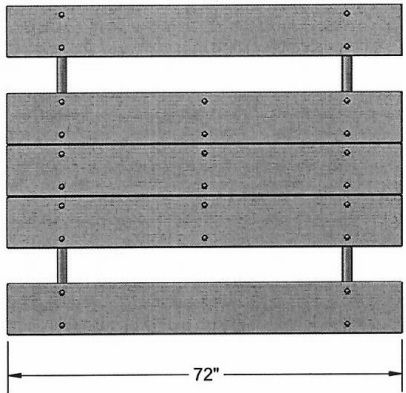
## Standard Powder Coat Colors



National Outdoor Furniture  
1210 W. Main Street #296  
Riverhead, N.Y. 11901

PHONE (888) 663-4621  
E-MAIL [nofinc1@gmail.com](mailto:nofinc1@gmail.com)

[www.nationaloutdoorfurniture.com](http://www.nationaloutdoorfurniture.com)



National Outdoor Furniture  
1210 W. Main Street #296  
Riverhead, N.Y. 11901

PHONE (888) 663-4621  
E-MAIL [nofinc1@gmail.com](mailto:nofinc1@gmail.com)

[www.nationaloutdoorfurniture.com](http://www.nationaloutdoorfurniture.com)