



### 8' Heavy Duty ADA Picnic Table - Portable.

- Overall Dimensions: 95" x 62" x 30H".
- Available as ADA accessible table in single or double sided accessibility.
- All MIG welded frame with zinc or galvanized plated hardware.
- Frame available in 2 3/8" O.D. pipe with 1 15/16" O.D. brace.
- Predrilled holes for surface mounting.
- Zinc coated, galvanized, powder coated finish or galvanized frame.
- Available in 2" x 10" Untreated Pine, Treated Pine, Redwood Stained Pine and Aluminum Planks.
- Some assembly required.

**Item #:** US 238H



### Powder Coat Colors



Model Number	Description
US 238HS-U8	8' ADA Picnic Table, 203 Lbs., (2) 6' Attached Seats, Untreated Pine, Portable.
US 238HS-PT8	8' ADA Picnic Table, 203 Lbs., (2) 6' Attached Seats, Treated Pine, Portable.
US 238HS-T8	8' ADA Picnic Table, 203 Lbs., (2) 6' Attached Seats, Redwood Stained Pine, Portable.
US 238HS-A8	8' ADA Picnic Table, 166 Lbs., (2) 6' Attached Seats, Aluminum, Portable.

US 238H-U8	Double Sided 8' ADA Picnic Table, 194 Lbs., (2) 6' Attached Seats, Untreated Pine, Portable.
US 238H-PT8	Double Sided 8' ADA Picnic Table, 240 Lbs., (2) 6' Attached Seats, Treated Pine, Portable.
US 238H-T8	Double Sided 8' ADA Picnic Table, 194 Lbs., (2) 6' Attached Seats, Redwood Stained Pine, Portable.
US 238H-A8	Double Sided 8' ADA Picnic Table, 157 Lbs., (2) 6' Attached Seats, Aluminum, Portable.

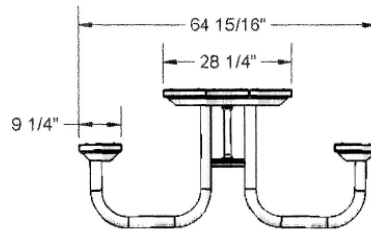
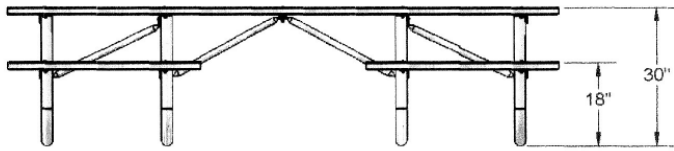
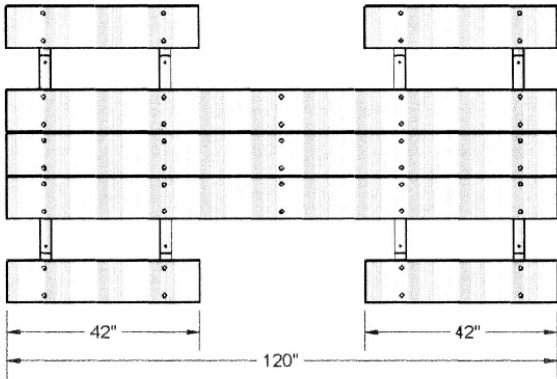
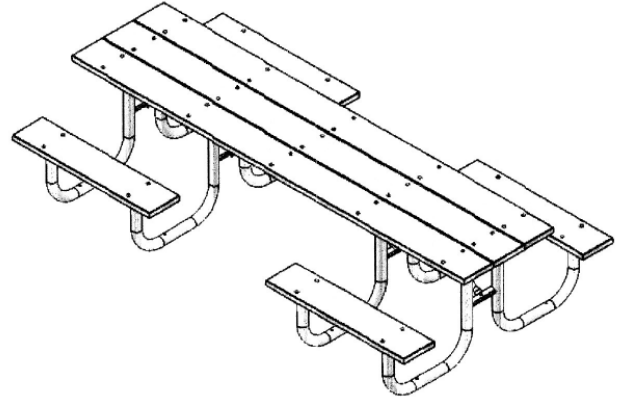


National Outdoor Furniture  
1210 W. Main Street #296  
Riverhead, N.Y. 11901

PHONE (888) 663-4621  
E-MAIL [nofinc1@gmail.com](mailto:nofinc1@gmail.com)

[www.nationaloutdoorfurniture.com](http://www.nationaloutdoorfurniture.com)

# 10' Heavy Duty ADA Picnic Table



National Outdoor Furniture  
1210 W. Main Street #296  
Riverhead, N.Y. 11901

PHONE (888) 663-4621  
E-MAIL [nofinc1@gmail.com](mailto:nofinc1@gmail.com)

[www.nationaloutdoorfurniture.com](http://www.nationaloutdoorfurniture.com)