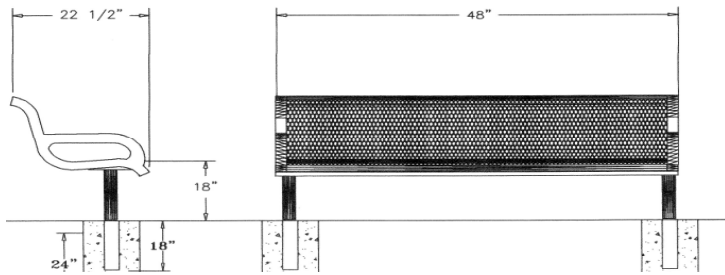




Wingline Bench  
Inground Mount

#### 4 Ft. Wingline Bench with Back - Inground Mount.

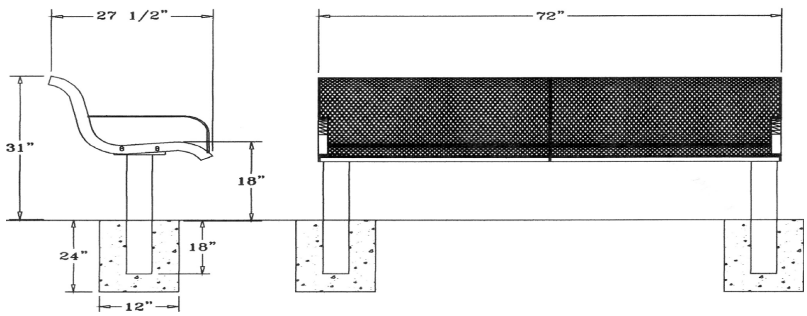
- 78 Lbs.
  - #9 Polyethylene coated expanded steel seat/back.
  - 2 7/8" Zinc coated, powder coated galvanized legs.
  - Some assembly required.
- Item #: WC WL4WBIG



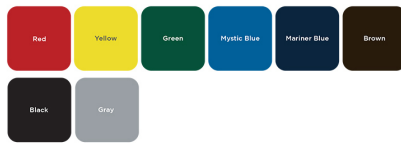
Wingline Bench  
Inground Mount

#### 6 Ft. Wingline Bench with Back - Inground Mount.

- 93 Lbs.
  - #9 Polyethylene coated expanded steel seat/back.
  - 2 7/8" Zinc coated, powder coated galvanized legs.
  - Some assembly required.
- Item #: WC WL6WBIG



#### Textured Polyethylene Colors



#### Powder Coat Gloss Finishes



#### Thermoplastic Color Options

