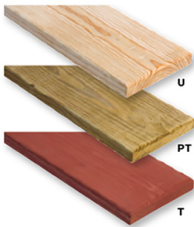




**6' Traditional Bench with Back - Surface Mount.**

- Available in 6' and 8' lengths
- 35 1/8"H x 23 7/16"D. 17 1/16" Seat height.
- (8) 2" x 4" Wood planks.
- 3" x 3" Square all MIG welded frame.
- Frame available with galvanized or powder coated finish.
- Available in surface and inground mount.
- One year warranty.
- Some assembly required.

**Item #:** US 982SM

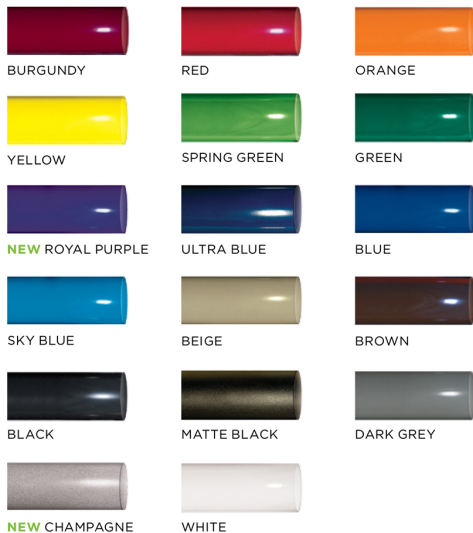


**Wood Planks**

2" x 10" and 2" x 4" sizes  
Rounded Edges  
#1 Southern Yellow Pine

(U) Untreated  
(PT) Pressure Treated  
Environmentally Friendly ACQ  
Kiln Dried Before & After Treatment  
(T) Treated Stain  
Sealed in Redwood Stain With  
Wood Preservative

**Standard Powder Coat Colors**



Model Number	Description
US 982SM-U6	6' Park Bench, 118 Lbs., Untreated Pine, Surface Mount.
US 982SM-PT6	6' Park Bench, 120 Lbs., Treated Pine, Surface Mount.
US 982SM-T6	6' Park Bench, 118 Lbs., Redwood Stained Pine, Surface Mount.
US 982SM-U8	8' Park Bench, 148 Lbs., Untreated Pine, Surface Mount.
US 982SM-PT8	8' Park Bench, 158 Lbs., Treated Pine, Surface Mount.
US 982SM-T8	8' Park Bench, 148 Lbs., Redwood Stained Pine, Surface Mount.

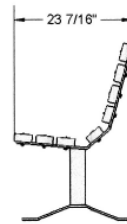
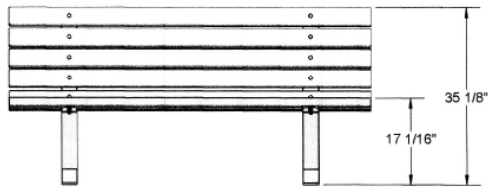
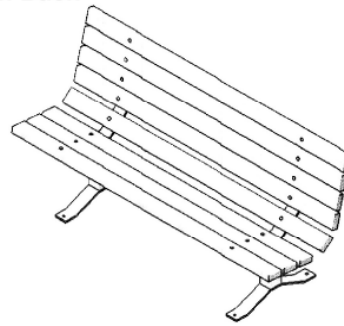
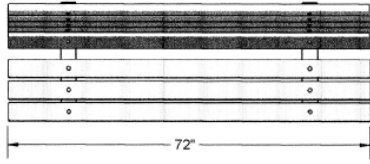


National Outdoor Furniture  
1210 W. Main Street #296  
Riverhead, N.Y. 11901

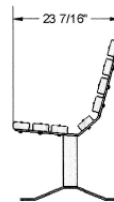
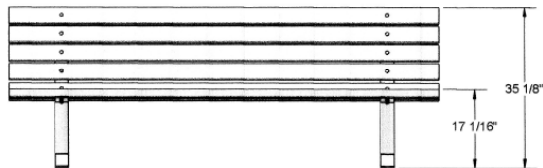
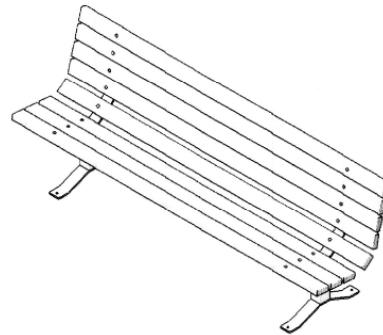
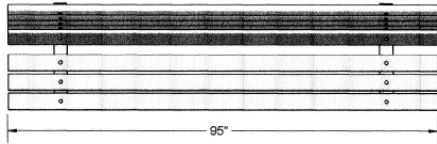
PHONE (888) 663-4621  
E-MAIL [nofinc1@gmail.com](mailto:nofinc1@gmail.com)

[www.nationaloutdoorfurniture.com](http://www.nationaloutdoorfurniture.com)

### 6' Traditional Bench with Back



### 8' Traditional Bench with Back



National Outdoor Furniture  
1210 W. Main Street #296  
Riverhead, N.Y. 11901

PHONE (888) 663-4621  
E-MAIL [nofinc1@gmail.com](mailto:nofinc1@gmail.com)  
[www.nationaloutdoorfurniture.com](http://www.nationaloutdoorfurniture.com)