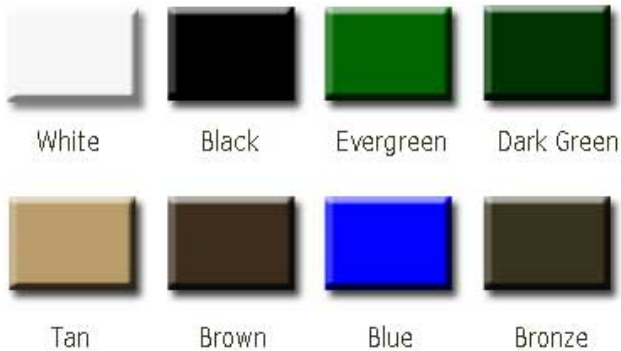




4, 5' and 80" Victorian Bench – Portable/Surface Mount.

- 4' Dimensions: 31 ½ Overall Ht. x 16 ¾" Seat Ht. x 24" Depth. 55 Lbs.
- Slat Options: Oak Slats, Recycled Plastic Slats, Aluminum Slats.
- Powder coated cast aluminum arms.
- 1/4"-20 steel zinc plated, yellow dipped carriage bolts and nuts.
- With or without surface mounting holes.
- 5' and 80' bench sold with three legs.
- 100% Recycled aluminum casting frame.
- Made in the USA.
- Some assembly required.

Cast Aluminum Arm Finishes



Model # Size / Slats

KR VBS 480-O	55 Lbs. 4 Ft.-Oak
KR VBS 48-A	55 lbs.4 Ft.-Aluminum
KR VBS 48-F	55 lbs.4 Ft.-Recycled Plastic
KR VBP 60-O	70 Lbs. 5 Ft.-Oak
KR VBP 60-A	70 Lbs. 5 Ft.-Aluminum
KR VBP 60-F	70 Lbs. 5 Ft.-Recycled Plastic
KR VBLF 80-O	80 Lbs. 80 Inch-Oak
KR VBLF 80-A	80 Lbs. 80 Inch-Aluminum
KR VBLF 80-F	80 Lbs. 80 Inch-Recycled Plastic

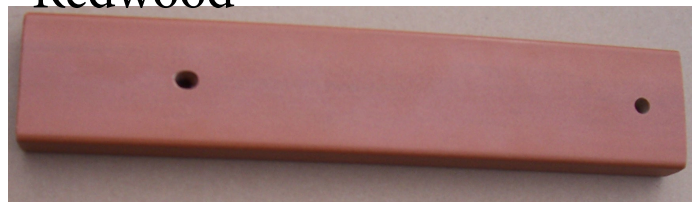
Aluminum Slat Colors: Black, White, Brown, Tan, Evergreen, Dk. Green, Bronze, Blue.
Recycled Plastic Slat Color: Cedar/Redwood..

Recycled Plastic

Cedar



Redwood

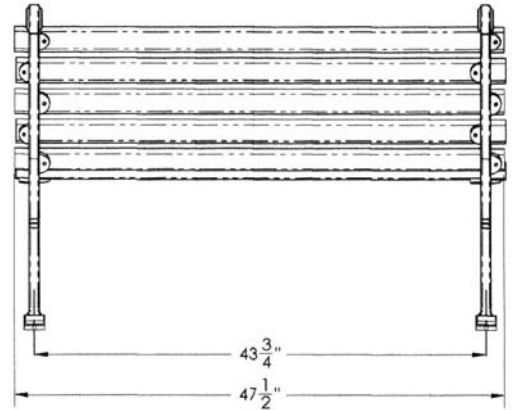
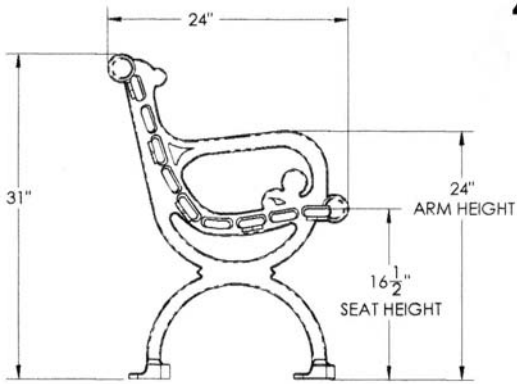


National Outdoor Furniture
 1210 W. Main Street #296
 Riverhead, N.Y. 11901

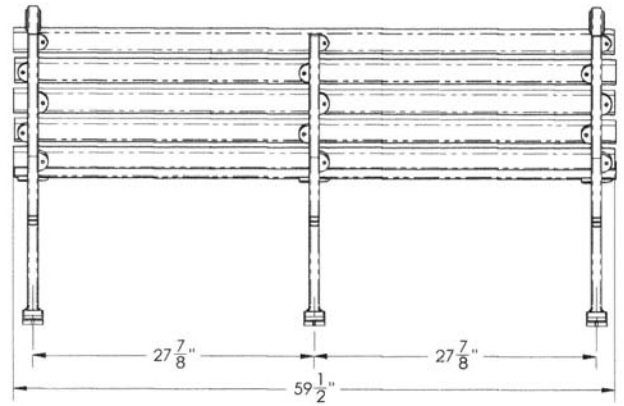
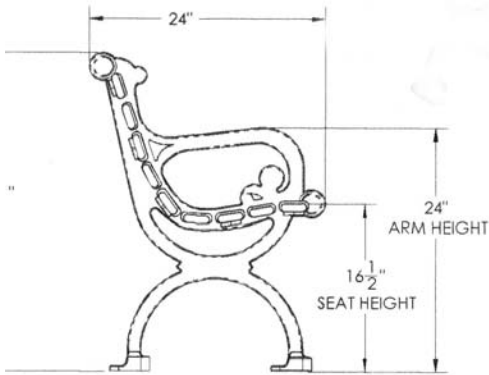
PHONE (888) 663-4621
 E-MAIL nofinc1@gmail.com

www.nationaloutdoorfurniture.com

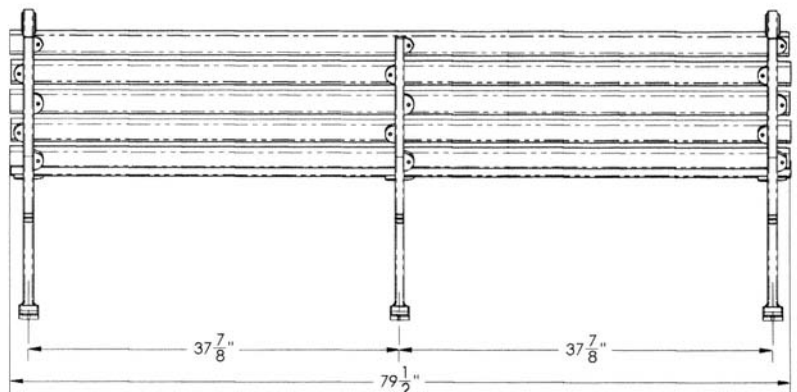
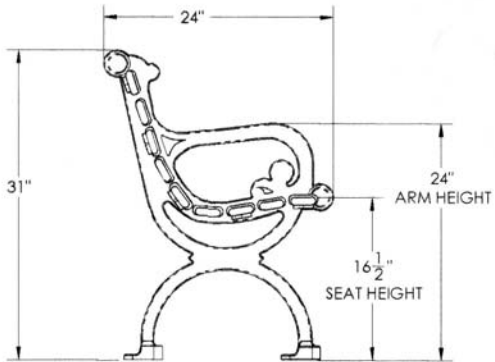
48" Victorian Bench



60" Victorian Bench



80" Victorian Bench



National Outdoor Furniture
1210 W. Main Street #296
Riverhead, N.Y. 11901

PHONE (888) 663-4621
E-MAIL nofinc1@gmail.com
www.nationaloutdoorfurniture.com