

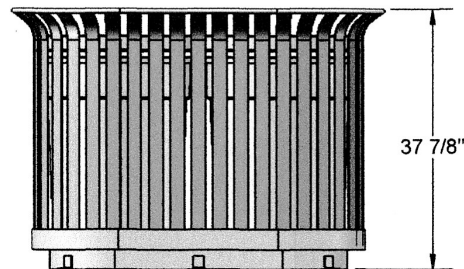
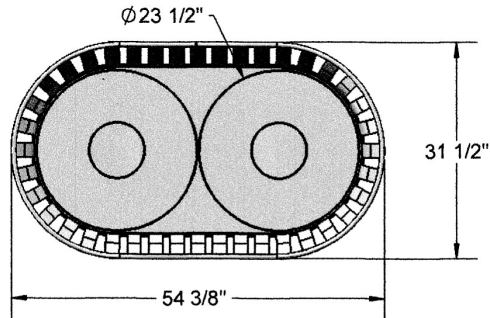


72 Gallon Dual Lexington Trash Receptacle

- Dimensions: 37 3/8"H x 31 1/2"D x 54 3/8"W. 270 Lbs.
- UltraCoat Powder-coat finish with zinc rich base. Thirteen colors available.
- Includes two 36 gallon liners and powder coated lids.
- Optional decals are white lettering with black background.
- Portable and/or surface mount. Inground mounting kit available.
- Five Year Limited Warranty.

Item #: US LX-72

Standard Powder Coat Colors



National Outdoor Furniture
1210 W. Main Street #296
Riverhead, N.Y. 11901

PHONE (888) 663-4621
E-MAIL nofinc1@gmail.com

www.nationaloutdoorfurniture.com