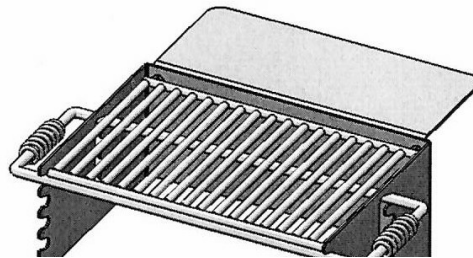




Adjustable Rotating Park Grill, 280 and 300 Square Inch – Inground Mount.

- 59-83 Lbs.
 - 280 Sq. Inch Dimensions: 20"L x 14"D x 8"H.
 - 300 Sq. Inch Dimensions: 20"L x 15"D x 10"H.
 - Grill rotates 360 degrees.
 - 3 1/2" post.
 - Also available with utility shelf.
 - Cooking grate has cool-coiled handles can be adjust to four different levels.
 - All MIG welded 7 gauge base plate with 10 gauge side plate.
 - Galvanized iron pipe post inground mount.
 - Durable rust resistant high temp. black powder coated firebox.
 - Optional hot dipped galvanized firebox.
 - Some assembly required.
- Item #:** US 620

Model Number	Description
US 620-3	280 Square Inches with 3 1/2" O.D. Post. 59 Lbs.
US 620-3-U	280 Square Inches with 3 1/2" O.D. Post, Utility Shelf, 73 Lbs.
US 630-3	300 Square Inches with 3 1/2" O.D. Post. 69 Lbs.
US 6203-3-U	300 Square Inches with 3 1/2" O.D. Post, Utility Shelf, 83 Lbs.



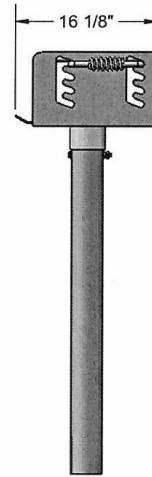
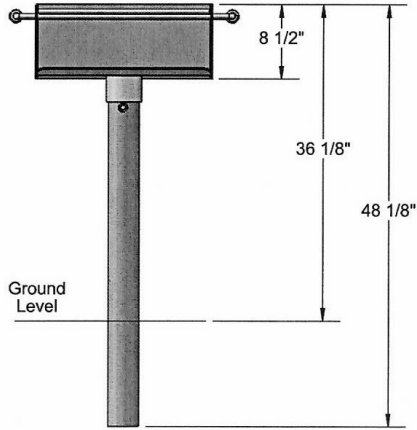
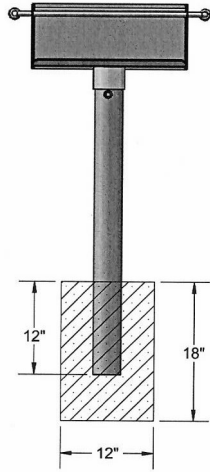
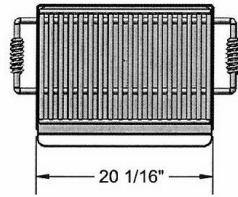
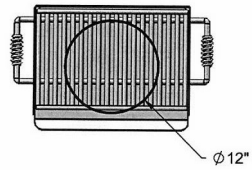
Optional Utility Shelf



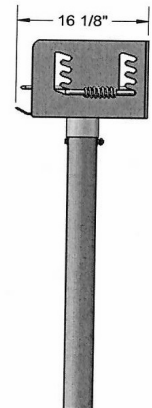
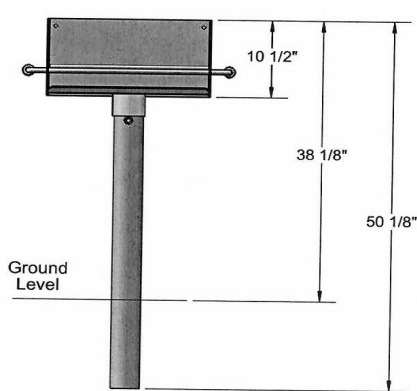
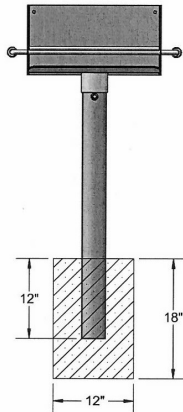
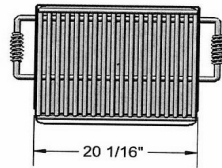
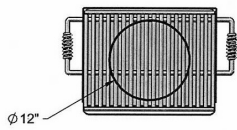
National Outdoor Furniture
1210 W. Main Street #296
Riverhead, N.Y. 11901

PHONE (888) 663-4621
E-MAIL nofinc1@gmail.com

www.nationaloutdoorfurniture.com



US 620-3



US 630-3

Estimated Required Concrete:
4 - 50lb Bags of Concrete Mix



National Outdoor Furniture
1210 W. Main Street #296
Riverhead, N.Y. 11901

PHONE (888) 663-4621
E-MAIL nofinc1@gmail.com

www.nationaloutdoorfurniture.com