



**Adjusting Rotating Grill, 280 and 300 Square Inch Cooking Surface- Surface Mount.**

- 52 - 84 Lbs.
- 280 and 300 Total square inch cooking surface.
- Firebox size: 280 Sq. Inch: 20"L x 14"D x 8"H.  
300 Sq. Inch: 20"L x 15"D x 10"H.
- Grill rotates a full 360 degrees.
- 2 3/8" and 3 1/2" posts available.
- Also available with utility shelf.
- Cooking grate has cool coil handles and can be adjusted to four different levels.
- All MIG welded 7 gauge base plate with 10 gauge side plate.
- Galvanized iron pipe post. Inground mount.
- Durable rust resistant high temp black powder coated firebox.
- ADA, surface mounted and inground mounted versions available.
- Optional hot dipped galvanized firebox and utility shelf.
- Some assembly required.

**Item #:** US 620SM

**US 620SM-3 280 Sq. Inch Grill - Surface Mount.**

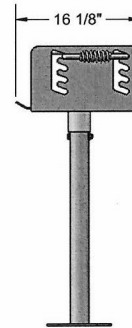
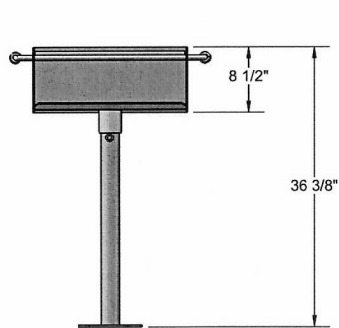
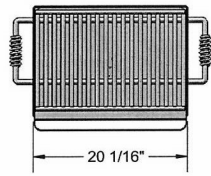
**US 630SM-3 300 Sq. Inch Grill - Surface Mount.**



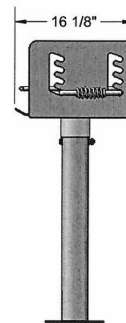
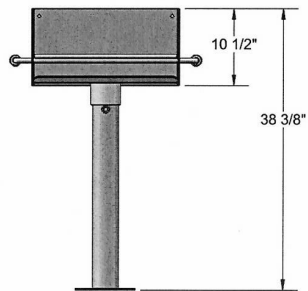
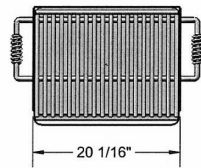
National Outdoor Furniture  
1210 W. Main Street #296  
Riverhead, N.Y. 11901

PHONE (888) 663-4621  
E-MAIL [nofinc1@gmail.com](mailto:nofinc1@gmail.com)

[www.nationaloutdoorfurniture.com](http://www.nationaloutdoorfurniture.com)



**US 620SM-3**



**US 630SM-3**



National Outdoor Furniture  
1210 W. Main Street #296  
Riverhead, N.Y. 11901

PHONE (888) 663-4621  
E-MAIL [nofinc1@gmail.com](mailto:nofinc1@gmail.com)  
[www.nationaloutdoorfurniture.com](http://www.nationaloutdoorfurniture.com)