

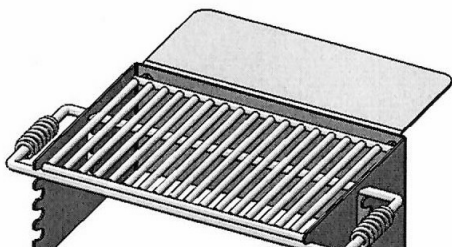


**Dual Grate Grill, 550 Sq. Inch - Inground & Surface Mount.**

- 130 Lbs.
- 550 Total square inch cooking surface.
- Firebox size: 20”L x 28”D x 8”H.
- Cooking grate has cool coiled handles and can be adjusted to four different levels.
- All MIG welded.
- 2 3/8” Galvanized iron post.
- Durable high temp black powder coated firebox.
- Durable rust resistant high temp black powder coated firebox.
- Surface mounted and inground mounted versions available.
- Optional hot dipped galvanized firebox and utility shelf.
- Some assembly required.

**Item #:** US 650

Model Number	Description
US 650	Grill with 2 3/8” O.D. Post, 130 Lbs., Inground Mount.
US 650SM	Grill with 2 3/8” O.D. Post , 130 Lbs., Surface Mount.
US 650-U-3	Grill with 2 3/8” O.D. Post, 130 Lbs., With Utility Shelf, Inground Mount.



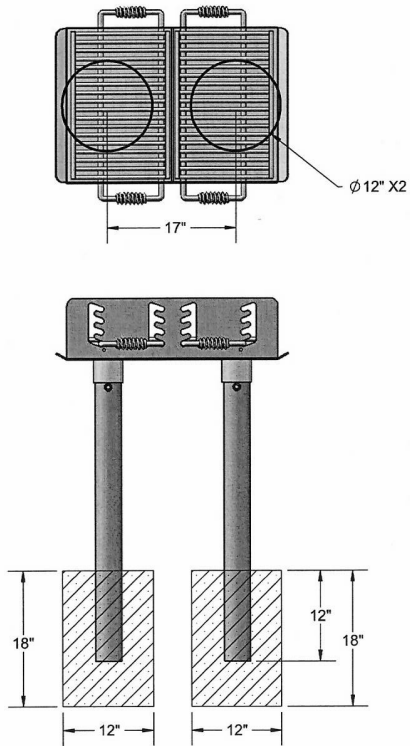
**Optional Utility Shelf**



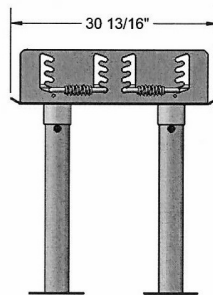
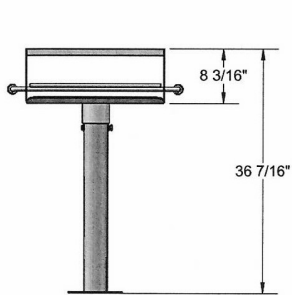
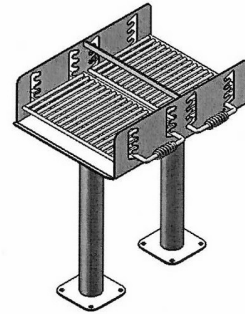
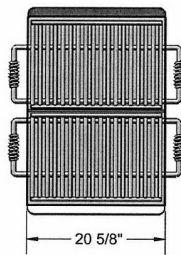
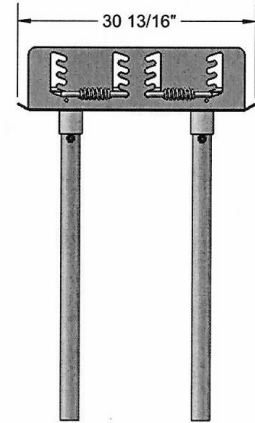
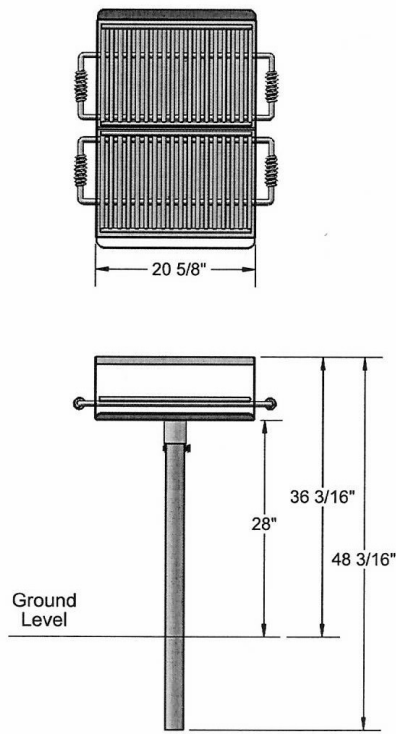
National Outdoor Furniture  
1210 W. Main Street #296  
Riverhead, N.Y. 11901

PHONE (888) 663-4621  
E-MAIL [nofinc1@gmail.com](mailto:nofinc1@gmail.com)

[www.nationaloutdoorfurniture.com](http://www.nationaloutdoorfurniture.com)



**US 650-3**



**US 650SM-3-U**



National Outdoor Furniture  
1210 W. Main Street #296  
Riverhead, N.Y. 11901

PHONE (888) 663-4621  
E-MAIL [nofinc1@gmail.com](mailto:nofinc1@gmail.com)

[www.nationaloutdoorfurniture.com](http://www.nationaloutdoorfurniture.com)